

# KG5042

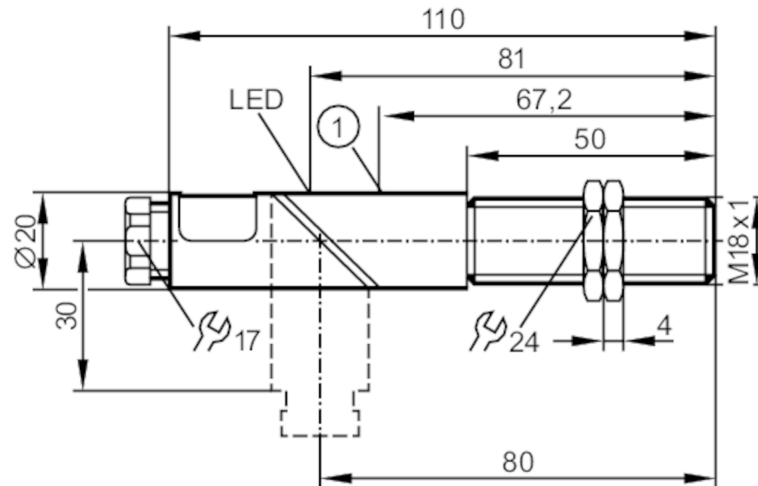


## Capacitive sensor

KGE3008-APKG/NI

Article no longer available - archive entry

Alternative article: KG5040 When selecting an alternative article and accessories please note that technical data may differ! –  
When selecting an alternative article and accessories please note that technical data may differ! – Discontinuation date: 31.03.2016



1 potentiometer



### Product characteristics

Electrical design	PNP
Output function	normally closed
Sensing range [mm]	8
Housing	threaded type
Dimensions [mm]	M18 x 1 / L = 110

### Electrical data

Operating voltage [V]	10...36 DC
Current consumption [mA]	< 10 (24 V) / < 15 (36 V)
Protection class	II
Reverse polarity protection	yes

### Outputs

Electrical design	PNP
Output function	normally closed
Max. voltage drop switching output DC [V]	2.5
Permanent current rating of switching output DC [mA]	250
Switching frequency DC [Hz]	50
Short-circuit proof	yes
Overload protection	yes

### Detection zone

Sensing range [mm]	8
Real sensing range $S_r$ [mm]	$8 \pm 10 \%$
Operating distance [mm]	0...6.5

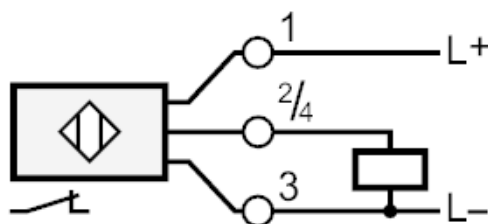
# KG5042



## Capacitive sensor

KGE3008-APKG/NI

Accuracy / deviations		
Correction factor		glass: 0.4 / water: 1 / ceramics: 0.2 / PVC: 0.2
Hysteresis	[% of Sr]	1...15
Switch point drift	[% of Sr]	-15...15
Operating conditions		
Ambient temperature	[°C]	-25...80
Protection		IP 65
Tests / approvals		
EMC		EN 60947-5-2
MTTF	[years]	637
Mechanical data		
Weight	[g]	72
Housing		threaded type
Mounting		non-flush mountable
Dimensions	[mm]	M18 x 1 / L = 110
Thread designation		M18 x 1
Materials		PBT
Displays / operating elements		
Display	switching status	1 x LED, yellow
Accessories		
Accessories (supplied)		lock nuts: 2 screwdriver: 1
Remarks		
Notes		discontinued article
Pack quantity		1 pcs.
Electrical connection		
terminals: ...2.5 mm <sup>2</sup> ; Cable sheath: Ø 4.5...10 mm; Cable gland: M16 X 1.5		
Connection		



Article no longer available - archive entry

# KG5042

## Capacitive sensor

KGE3008-APKG/NI



Alternative article: KG5040 When selecting an alternative article and accessories please note that technical data may differ! –  
When selecting an alternative article and accessories please note that technical data may differ! – Discontinuation date: 31.03.2016