

IV5005

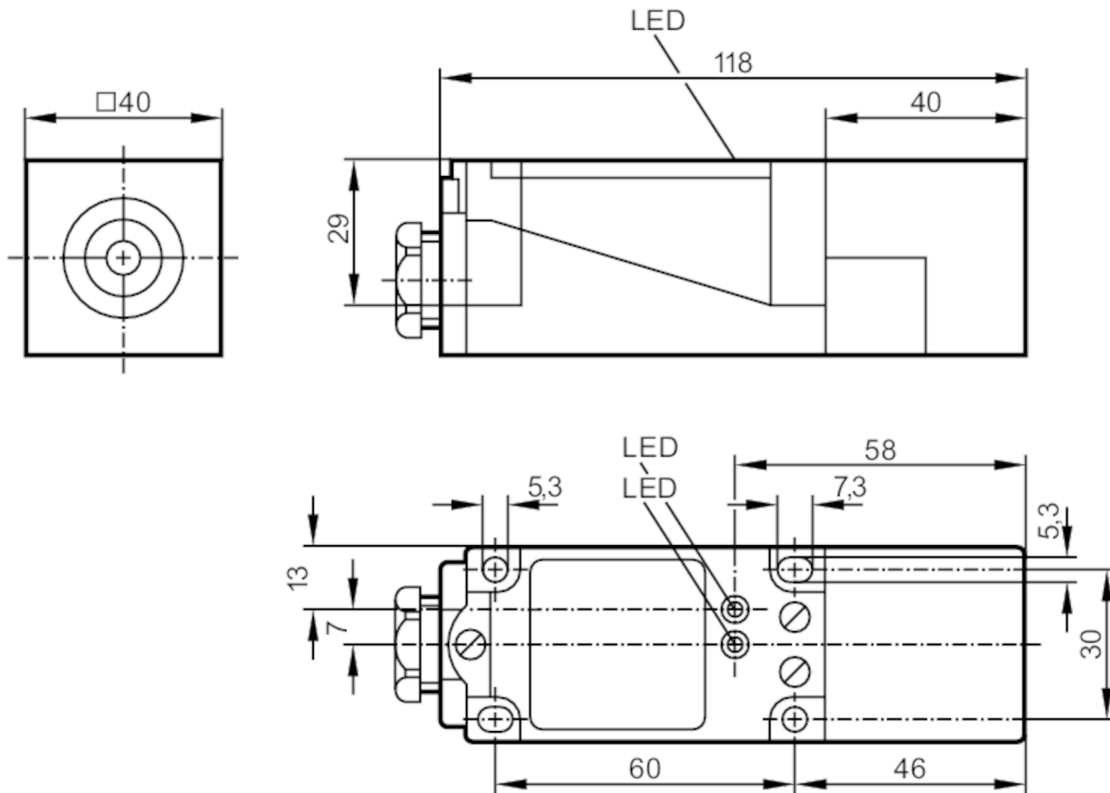


Inductive sensor

IVE3015UBPKG

Article no longer available - archive entry

Alternative article: IV5025 When selecting an alternative article and accessories please note that technical data may differ! – When selecting an alternative article and accessories please note that technical data may differ!



Application	
Magnetic-field immune	yes
Electrical data	
Operating voltage [V]	10...30 DC
Current consumption [mA]	20; (24 V)
Protection class	II
Reverse polarity protection	yes
Outputs	
Electrical design	PNP
Output function	normally open
Max. voltage drop switching output DC [V]	3
Permanent current rating of switching output DC [mA]	200
Switching frequency DC [Hz]	10
Short-circuit protection	yes
Type of short-circuit protection	pulsed
Overload protection	yes

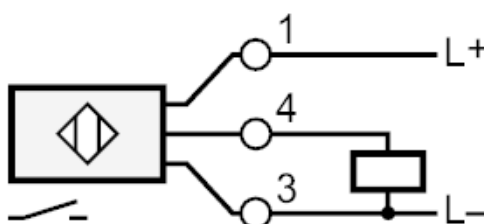
IV5005



Inductive sensor

IVE3015UBPKG

Detection zone		
Sensing range	[mm]	15
Real sensing range Sr	[mm]	15 ± 10 %
Operating distance	[mm]	0...12.1
Accuracy / deviations		
Correction factor		steel: 1 / stainless steel: 0.7 / brass: 0.4 / aluminium: 0.3 / copper: 0.2
Hysteresis	[% of Sr]	1...15
Switch point drift	[% of Sr]	-10...10
Operating conditions		
Ambient temperature	[°C]	-25...70
Protection		IP 67
Tests / approvals		
EMC		EN 60947-5-2
Mechanical data		
Housing		rectangular
Mounting		flush mountable
Dimensions	[mm]	40 x 40 x 118
Materials		PBT
Displays / operating elements		
Display	switching status	1 x LED, yellow
	operation	1 x LED, green
Remarks		
Remarks		5 positions of the active zone possible Cable gland (E11270) to be ordered separately
Pack quantity		1 pcs.
Electrical connection		
terminals: ...2.5 mm ²		
Connection		



Article no longer available - archive entry

IV5005

Inductive sensor

IVE3015UBPKG



Alternative article: IV5025 When selecting an alternative article and accessories please note that technical data may differ! – When selecting an alternative article and accessories please note that technical data may differ!