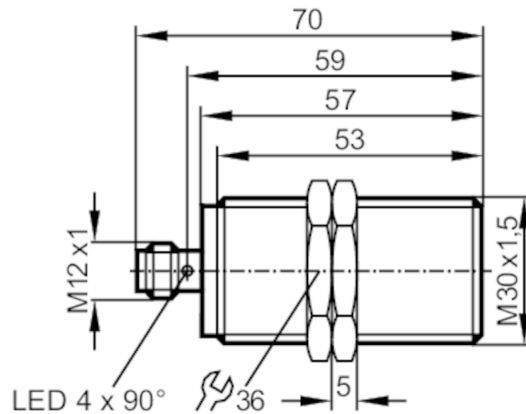


II5917



Inductive analogue sensor

IIK3010A2PKG/US



Product characteristics

Housing		threaded type
Dimensions	[mm]	M30 x 1.5 / L = 70

Electrical data

Operating voltage	[V]	15...30 DC
Current consumption	[mA]	< 20
Protection class		II
Reverse polarity protection		yes

Outputs

Analogue voltage output	[V]	0...10; (linear; gradient: 1,111 V/mm; for frontal approach and for target made of mild steel: 30 x 30 x 1 mm)
Min. load resistance	[Ω]	2000
Short-circuit protection		yes
Overload protection		yes

Detection zone

Measuring range	[mm]	1...10
-----------------	------	--------

Accuracy / deviations

Correction factor		steel: 1 / stainless steel: 0.7 / brass: 0.5 / aluminium: 0.4 / copper: 0.3
Linearity error of analogue output	[%]	± 3 %; (of UA max)
Repeatability analogue output	[%]	± 2 %; (of UA max)

Response times

Response time	[ms]	< 10
---------------	------	------

Operating conditions

Ambient temperature	[°C]	-25...80
Protection		IP 67

Tests / approvals

MTTF	[years]	1014
------	---------	------

II5917



Inductive analogue sensor

IIK3010A2PKG/US

Mechanical data		
Weight	[g]	151
Housing		threaded type
Mounting		flush mountable
Dimensions	[mm]	M30 x 1.5 / L = 70
Thread designation		M30 x 1.5
Materials		housing: brass white bronze coated; sensing face: PBT
Tightening torque	[Nm]	50
Displays / operating elements		
Display	within the operating range	1 x LED, yellow lights
	outside the operating range	1 x LED, yellow flashing
Accessories		
Accessories (supplied)		lock nuts: 2
Remarks		
Pack quantity		1 pcs.
Electrical connection - plug		

Connector: 1 x M12



Connection

