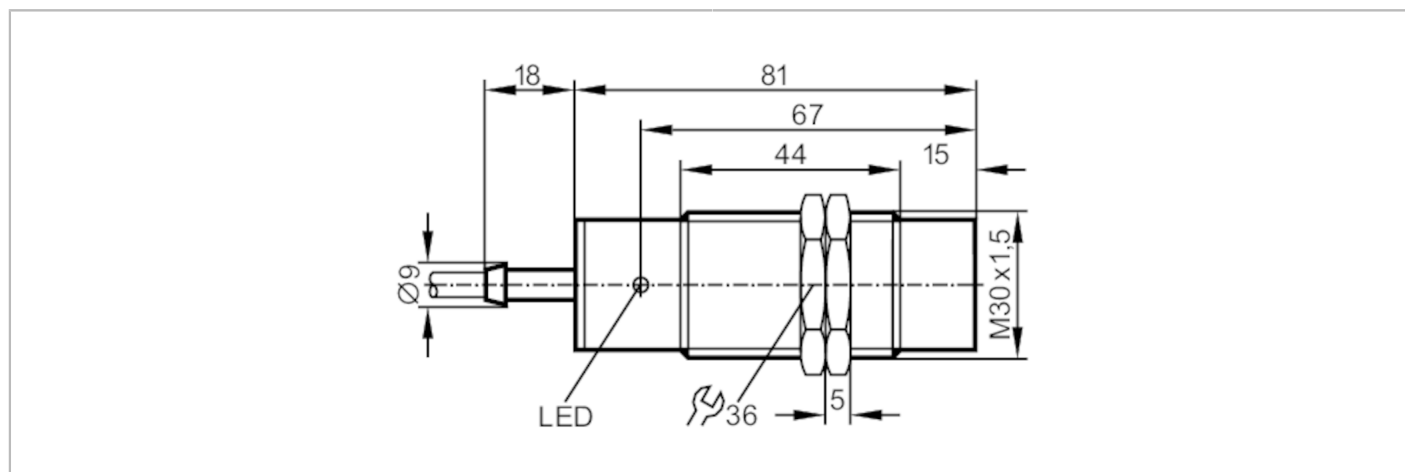


II5491



Inductive sensor

IIA2015-FRKG/PH



Electrical data	
Operating voltage [V]	10...55 DC
Protection class	II
Reverse polarity protection	yes
Outputs	
Electrical design	PNP/NPN
Output function	normally open / normally closed; (selectable)
Max. voltage drop switching output DC [V]	4.6
Minimum load current [mA]	4
Max. leakage current [mA]	0.5
Permanent current rating of switching output DC [mA]	400
Switching frequency DC [Hz]	200
Short-circuit protection	yes
Type of short-circuit protection	pulsed
Overload protection	yes
Detection zone	
Sensing range [mm]	15
Real sensing range S_r [mm]	$15 \pm 10 \%$
Operating distance [mm]	0...12.1
Accuracy / deviations	
Correction factor	steel: 1 / stainless steel: 0.7 / brass: 0.4 / aluminium: 0.3 / copper: 0.2
Hysteresis [% of S_r]	1...15
Switch point drift [% of S_r]	-10...10
Operating conditions	
Ambient temperature [°C]	-25...80
Protection	IP 67

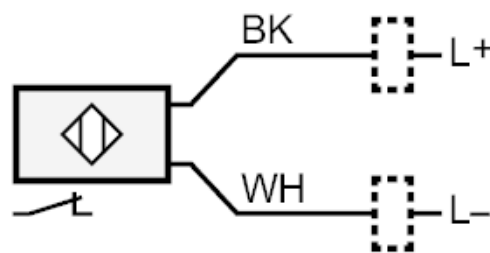
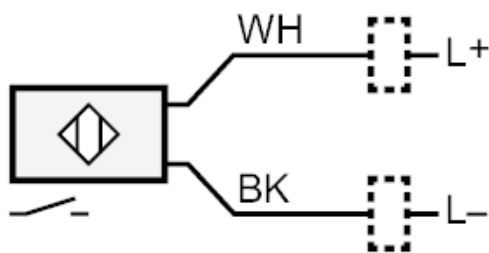
II5491



Inductive sensor

IIA2015-FRKG/PH

Tests / approvals		
EMC	EN 60947-5-2 EN 55011	class B
MTTF [years]	1835	
Mechanical data		
Weight [g]	232.5	
Housing	threaded type	
Mounting	non-flush mountable	
Dimensions [mm]	M30 x 1.5 / L = 81	
Thread designation	M30 x 1.5	
Materials	brass nickel-plated; sensing face: PBT	
Displays / operating elements		
Display	switching status	1 x LED, yellow
Accessories		
Accessories (supplied)	lock nuts: 2	
Remarks		
Pack quantity	1 pcs.	
Electrical connection		
Cable: 2 m, PUR / PVC; 2 x 0.5 mm ²		
Connection		



Core colours :

BK = black
WH = white