

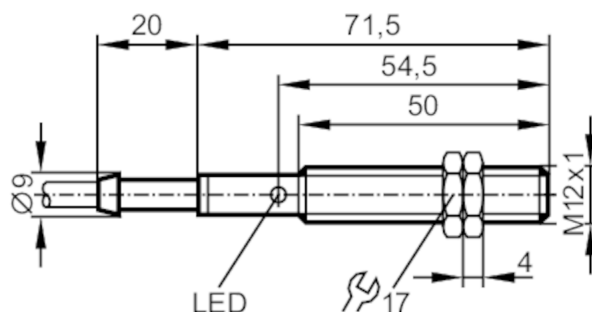
IF0223



Inductive sensor

IF-2004-BBOW/10m

Article no longer available - archive entry



Electrical data

Frequency AC	[Hz]	47...63
Operating voltage	[V]	20...140 AC
Protection class		II
Reverse polarity protection		no

Outputs

Output function		normally closed
Max. voltage drop switching output AC	[V]	8.5
Minimum load current	[mA]	8
Max. leakage current	[mA]	2.5 (140 V AC)
Permanent current rating of switching output AC	[mA]	200; (250 (...50 °C))
Short-time current rating of switching output	[mA]	900; (20 ms / 0,5 Hz)
Switching frequency AC	[Hz]	25
Short-circuit protection		no
Overload protection		no

Detection zone

Sensing range	[mm]	4
Real sensing range Sr	[mm]	4 ± 10 %
Operating distance	[mm]	0...3.25

Accuracy / deviations

Correction factor		steel: 1 / stainless steel: 0.7 / brass: 0.4 / aluminium: 0.3 / copper: 0.2
Hysteresis	[% of Sr]	1...15
Switch point drift	[% of Sr]	-10...10

Operating conditions

Ambient temperature	[°C]	-25...80
Protection		IP 67

Tests / approvals

EMC	EN 60947-5-2	class B
	EN 55011	

IF0223



Inductive sensor

IF-2004-BBOW/10m

Mechanical data	
Housing	threaded type
Mounting	non-flush mountable
Dimensions [mm]	M12 x 1 / L = 71.5
Thread designation	M12 x 1
Materials	PBT

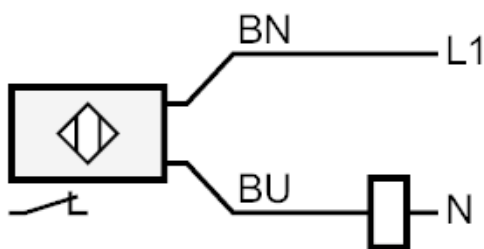
Displays / operating elements		
Display	switching status	1 x LED, yellow

Accessories	
Accessories (supplied)	lock nuts: 2

Remarks	
Pack quantity	1 pcs.

Electrical connection
Cable: 10 m, PVC; 2 x 0.5 mm²

Connection



Core colours :

BN = brown

BU = blue

Article no longer available - archive entry