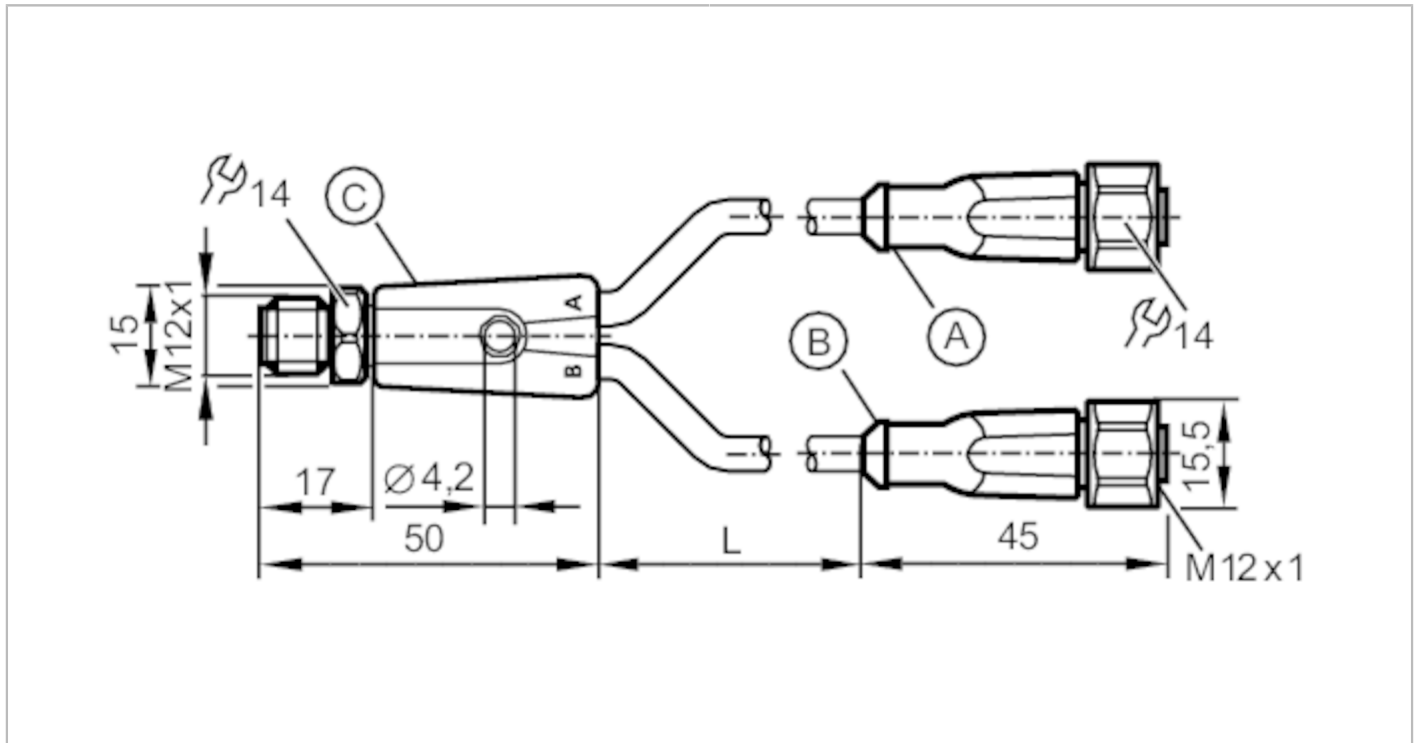


# EVM093



## Y connection cable

YDOGH040VAS0002H04STGH040VAS



Application		
Special feature	Free from silicone; Halogen-free; Gold-plated contacts; Drag chain suitability	
Application	applications in particularly harsh environments	
Free from silicone	yes	
Electrical data		
Operating voltage [V]	< 60 AC/DC	
Protection class	II	
Max. current load total [A]	4	
Operating conditions		
Ambient temperature [°C]	-40...90	
Ambient temperature (moving) [°C]	-25...90	
Storage temperature [°C]	-25...55	
Storage humidity [%]	10...100	
Other climatic conditions for storage according to stated class	1K22/ DIN 60721-3-1	
Protection	IP 65; IP 67; IP 68; IP 69K	
Tests / approvals		
Vibration resistance	EN 60068-2-6 Fc	20 g (10...3000 Hz) / -20 °C / 50 °C 50 sweep cycles, 1 octave per minute, in 3 axes
Shock resistance	EN 60068-2-27 Ea	100 g 11 ms half sine; 6 shocks each in every direction along the three coordinate axes / -40 °C / 85 °C

# EVM093



## Y connection cable

YDOGH040VAS0002H04STGH040VAS

Continuous shock resistance	EN 60068-2-29 Eb	40 g 6 ms; 4000 shocks each in every direction of the 3 coordinate axes / -20 °C / 50 °C
Fast temperature change	EN 60068-2-14 Na	TA = -40°C; TB = 85°C; t1 = 30 min; t2 = < 10 s 50 cycles
Salt spray test	EN 60068-2-52 Kb	severity level 5 (4 test cycles)

### Mechanical data

Weight	[g]	175.8
Moulded-body material		TPU
Material nut		stainless steel (316L/1.4404)
Sealing material		FKM
Drag chain suitability		yes
Drag chain suitability	bending radius for flexible use	min. 10 x cable diameter
	travel speed	max. 3.3 m/s for a horizontal travel length of 5 m and max. acceleration of 5 m/s <sup>2</sup>
	bending cycles	> 5 Mio.
	torsional strain	± 180 °/m

### Remarks

Pack quantity	1 pcs.
---------------	--------

### Electrical connection - plug C

Connector: 1 x M12, straight; coding: A; Moulded body: TPU, orange; Locking: stainless steel (316L/1.4404); Contacts: gold-plated; Tightening torque: 0.6...1.5 Nm





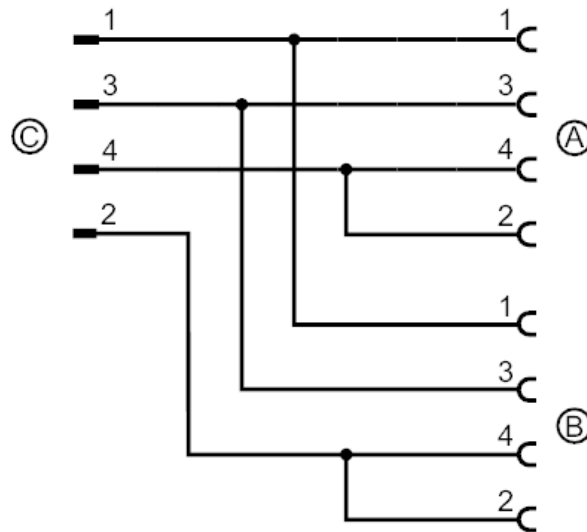
## Y connection cable

YDOGH040VAS0002H04STGH040VAS

### Electrical connection

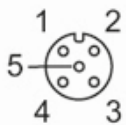
Cable: 2 m, PUR, Halogen-free, black, Ø 4.9 mm; 4 x 0.34 mm<sup>2</sup> (42 x Ø 0.1 mm )

### Connection



### Electrical connection - socket A

Connector: 1 x M12, straight; coding: A; Moulded body: TPU, orange; Locking: stainless steel (316L/1.4404); Sealing: FKM; Contacts: gold-plated; Tightening torque: 0.6...1.5 Nm



### Electrical connection - socket B

Connector: 1 x M12, straight; coding: A; Moulded body: TPU, orange; Locking: stainless steel (316L/1.4404); Sealing: FKM; Contacts: gold-plated; Tightening torque: 0.6...1.5 Nm

