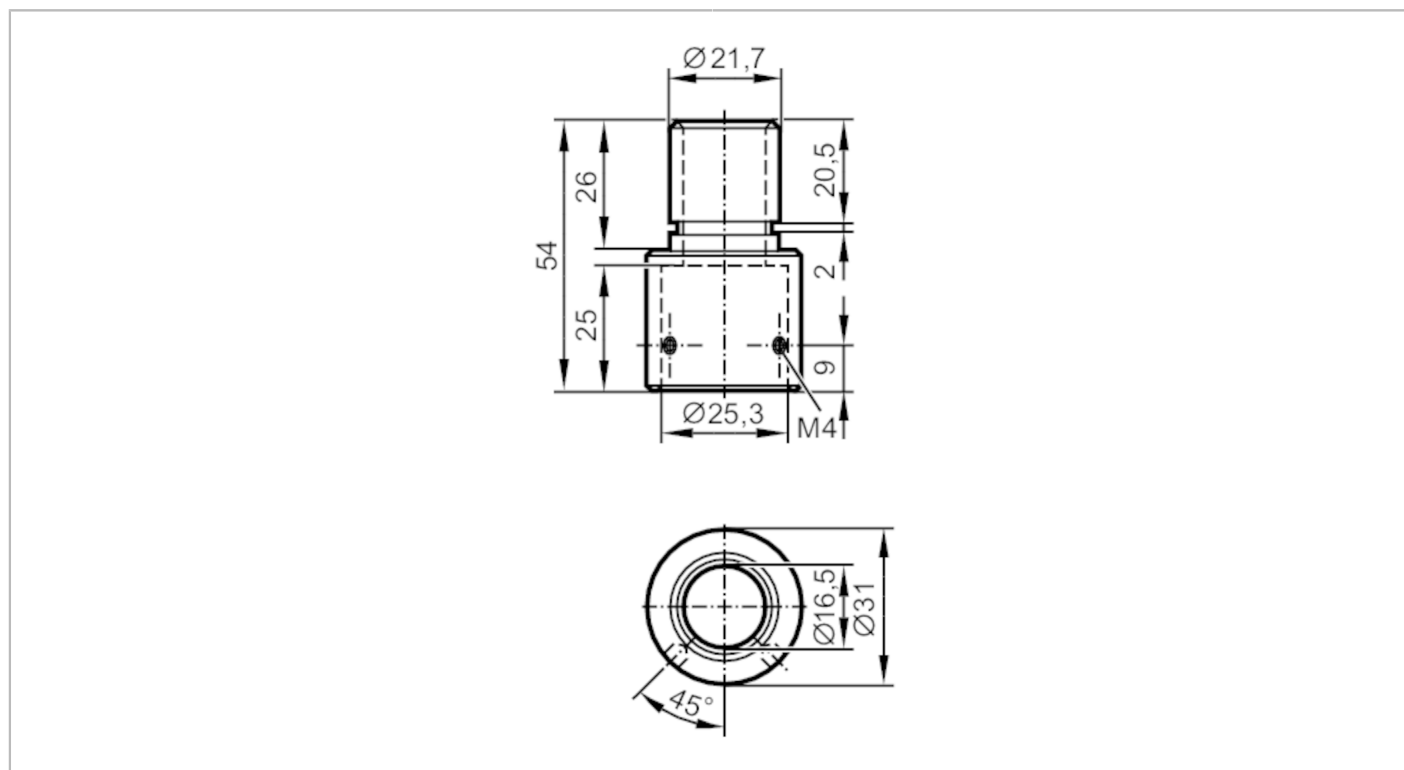


E89063



Mounting adapter

LED-Tower/Pole adapter 21,7 - 25 mm



Application	
Design	Reducing piece for mounting to pipes of other manufacturers $\varnothing 21,7 / \varnothing 25,3$
Mechanical data	
Weight [g]	32.7
Dimensions [mm]	$\varnothing 31 / L = 54$
Inside diameter [mm]	25.3
External diameter [mm]	21.7
Materials	aluminium black
Accessories	
Accessories (optional)	mounting tube 100 mm, E89065
	mounting tube 300 mm, E89066
	mounting tube 800 mm, E89067
Remarks	
Pack quantity	1 pcs.