

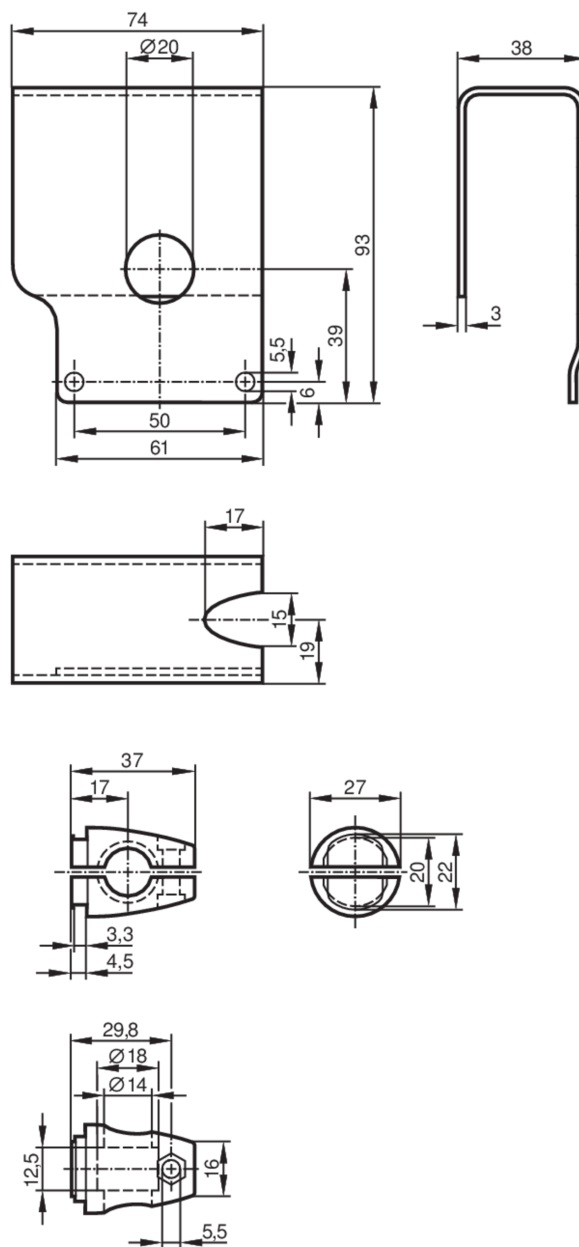
E20879



Mounting set for photoelectric sensors

SYSTEM COMPONENT OL ROD

Article no longer available - archive entry



Application

Design clamp mounting, with protective cover

Mechanical data

Type of mounting Mounting rod; (\varnothing 14 mm)

Materials fixture: stainless steel (1.4305 / 303); Clamp: stainless steel (1.4408)

Remarks

Pack quantity 1 pcs.

Article no longer available - archive entry