

E20848

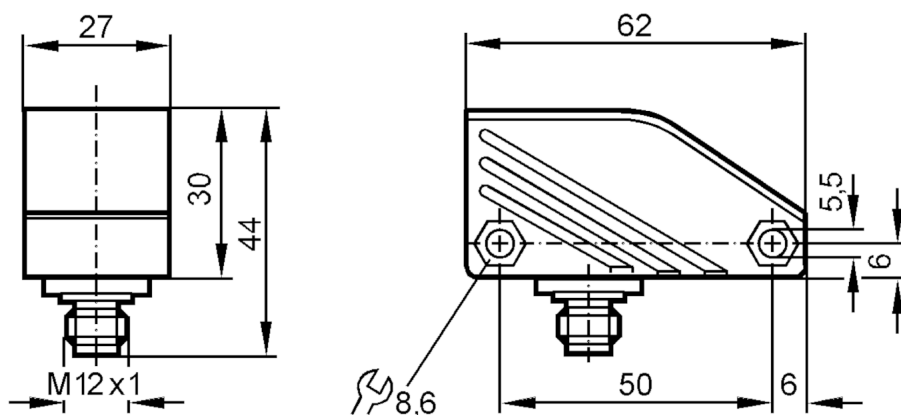


Mounting base

MOUNTING BASE OL

Article no longer available - archive entry

replaced by: E21022



Application

Design M12 x 1

Mechanical data

Dimensions [mm] 44 x 27 x 62

Materials PA; PBT

Remarks

Pack quantity 1 pcs.

Article no longer available - archive entry

replaced by: E21022