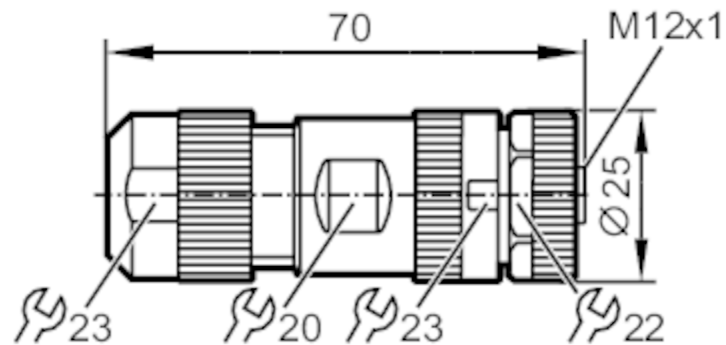


E12672



Wirable socket

SDOGX050ZDSFKPG



Application		
Special feature		Gold-plated contacts
Design		L-coded
Electrical data		
Operating voltage	[V]	< 63 DC
Max. current load total	[A]	16
Operating conditions		
Ambient temperature	[°C]	-40...85
Protection		IP 67
Mechanical data		
Weight	[g]	53.2
Dimensions	[mm]	Ø 25 / L = 70
Materials		PA
Moulded-body material		PA
Material nut		diecast zinc, nickel-plated
Remarks		
Pack quantity		1 pcs.
Electrical connection		
screw terminals: 1.5...2.5 mm ² ; Cable sheath: Ø 8...13 mm		
Electrical connection - socket		
Connector: 1 x M12, straight; Moulded body: PA; Locking: diecast zinc, nickel-plated; Contacts: gold-plated		

E12672

Wirable socket

SDOGX050ZDSFKPG



Connection

