

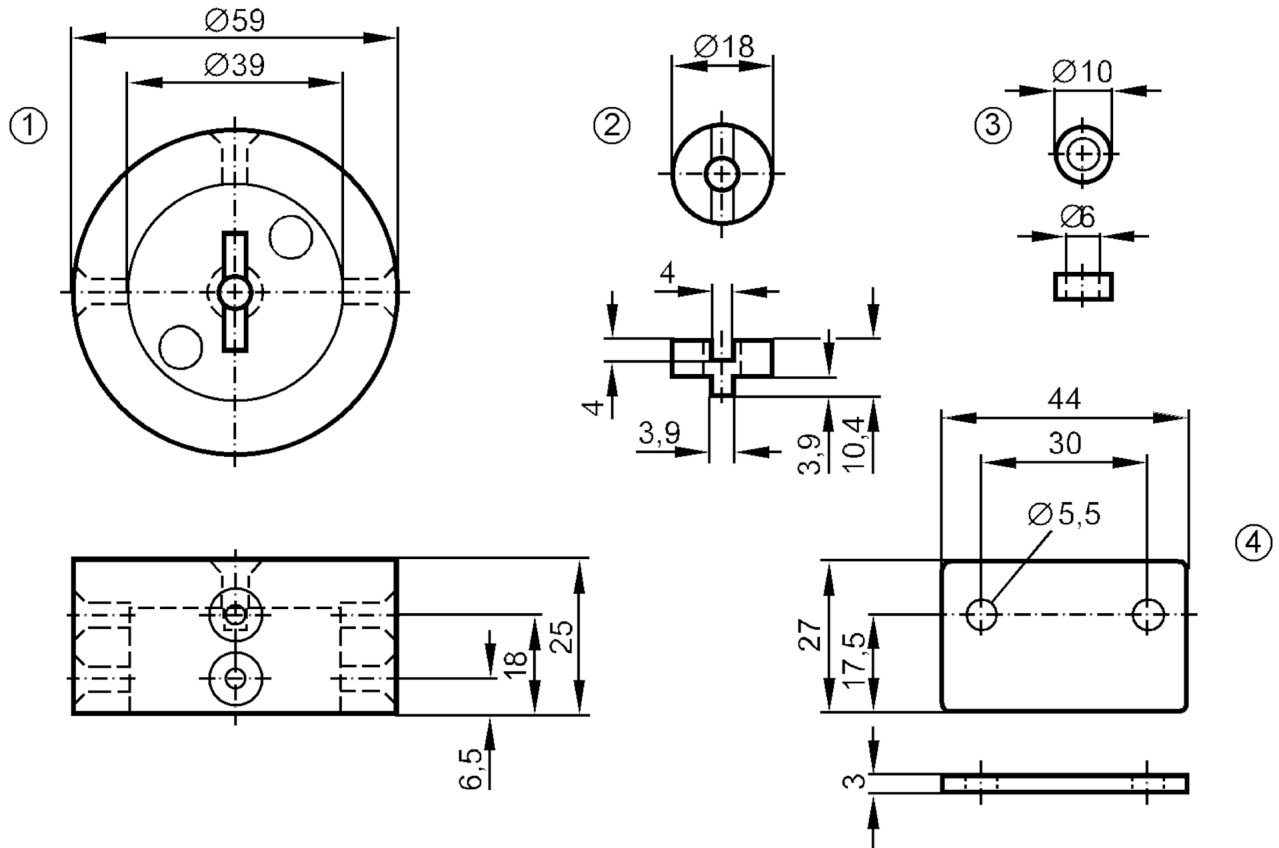
# E11279



## Target pucks for valve actuators

Mounting kit IND/Nelles 2

Article no longer available - archive entry



- 1 target pucks
- 2 shaft extension
- 3 spacer
- 4 Spacer

### Application

Design for Neles drive Typ B1CU 9/20E; 11/35E

### Mechanical data

Materials target pucks: POM; shaft extension: POM; spacer: stainless steel (1.4301 / 304); Spacer: stainless steel (1.4301 / 304)

### Remarks

Pack quantity 1 pcs.

Article no longer available - archive entry