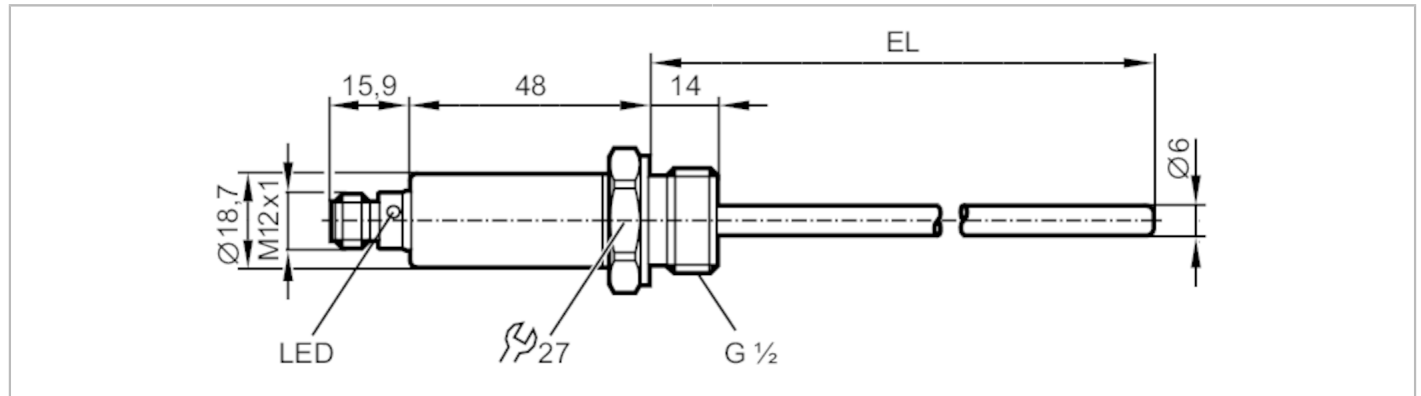


TA2405



Temperature transmitter

TA-030CLER12-A-ZVG/US



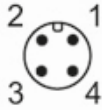
Application	
Measuring element	1 x Pt 1000; (to DIN EN 60751, class A)
Media	liquids and gases
Pressure rating [bar]	400
Note on pressure rating	sensor When mounted in adapters the specifications of the adapter data sheet apply.
Electrical data	
Operating voltage [V]	18...32 DC; ("supply class 2" to cULus)
Current consumption [mA]	< 50
Protection class	III
Reverse polarity protection	yes
Power-on delay time [s]	1
Inputs / outputs	
Number of inputs and outputs	Number of analogue outputs: 1
Outputs	
Total number of outputs	1
Output signal	analogue signal; IO-Link; (configurable)
Number of analogue outputs	1
Analogue current output [mA]	4...20
Max. load [Ω]	250; ((18...19 V); 19...32 V: 300 Ω)
Short-circuit protection	yes
Overload protection	yes
Measuring/setting range	
Measuring range [$^{\circ}\text{C}$]	-50...150
Factory setting	-50...150 $^{\circ}\text{C}$
Resolution	
Resolution of analogue output [K]	0.04
Accuracy / deviations	
Precision analogue output [K]	$\pm 0,3 + (\pm 0,1 \% \text{ MS})$
Temperature coefficient [% of the span / 10 K]	0,1; (in case of deviation from the reference condition $25 \pm 5 \text{ }^{\circ}\text{C}$)

TA2405



Temperature transmitter

TA-030CLER12-A-ZVG/US

Response times		
Dynamic response T05 / T09	[s]	1 / 3
Interfaces		
Communication interface		IO-Link
Transmission type		COM2 (38,4 kBaud)
IO-Link revision		1.1
Operating conditions		
Ambient temperature	[°C]	-25...80
Storage temperature	[°C]	-40...100
Protection		IP 67; IP 68; IP 69K
Tests / approvals		
EMC		DIN EN 61000-6-2
Shock resistance		DIN IEC 68-2-27
Vibration resistance		DIN IEC 68-2-6
MTTF	[years]	572
UL approval		UL Approval no. K002
Mechanical data		
Weight	[g]	122.5
Materials		stainless steel (1.4404 / 316L); PEI; FKM
Materials (wetted parts)		stainless steel (1.4404 / 316L); O-ring: FKM
Process connection		threaded connection G 1/2
Probe diameter	[mm]	6
Installation length EL	[mm]	30
Displays / operating elements		
Display		operating status
		1 x LED, green
Remarks		
Remarks		MS = set measuring span
Pack quantity		1 pcs.
Electrical connection		
Connector: 1 x M12; Contacts: gold-plated		
		

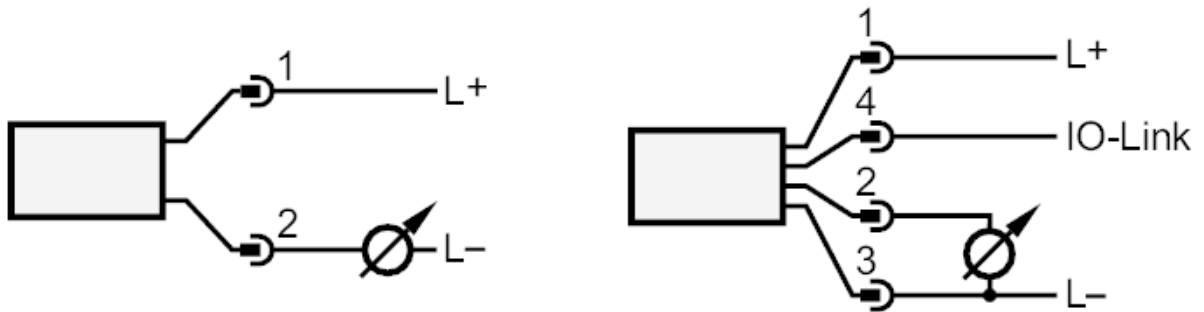
TA2405



Temperature transmitter

TA-030CLER12-A-ZVG/US

Connection



Diagrams and graphs