

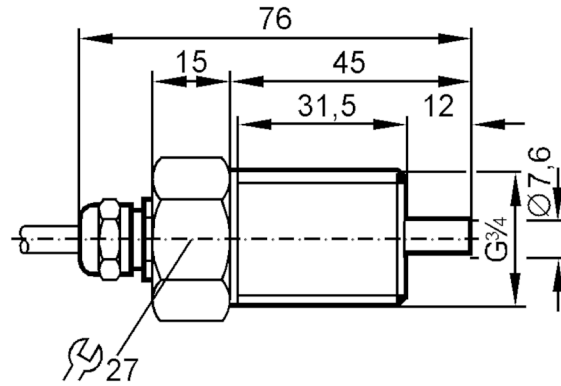
# ST4200



## Flow sensor for connection to an evaluation unit

STR34ABB

Article no longer available - archive entry



Application	
Application	high-temperature range
Media	Liquids; Gases
Medium temperature [°C]	-25...80
Pressure rating [bar]	30
Liquids	
Application	high-temperature range
Medium temperature [°C]	-25...80
Gases	
Medium temperature [°C]	-25...80
Electrical data	
Connection to control monitor	VS 0100
Measuring/setting range	
Liquids	
Setting range [cm/s]	3...300
Greatest sensitivity [cm/s]	3...60
Gases	
Setting range [cm/s]	5...1500
Accuracy / deviations	
Temperature gradient [K/min]	15
Response times	
Response time [s]	1...10
Liquids	
Response time [s]	1...10

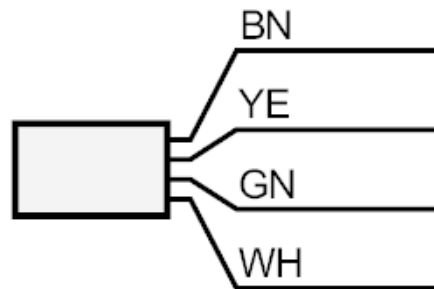
# ST4200



## Flow sensor for connection to an evaluation unit

STR34ABB

Gases	
Response time [s]	1...10
Operating conditions	
Protection	IP 67
Mechanical data	
Housing	threaded type
Materials	stainless steel (1.4571/316Ti)
Process connection	G 3/4 external thread
Remarks	
Pack quantity	1 pcs.
Electrical connection	
Cable: 2 m, Silflex-PUR; Maximum cable length: 100 m; 4 x 0.5 mm <sup>2</sup>	
Connection	



Core colours :

BK =	black
BN =	brown
BU =	blue
WH =	white

Article no longer available - archive entry