

# SF1000

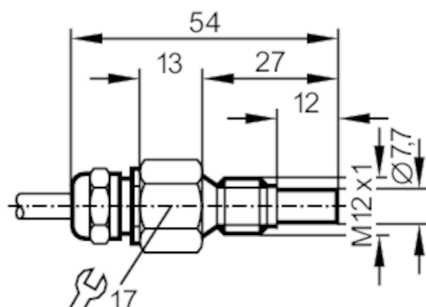


## Flow sensor for connection to an evaluation unit

SFM12ABA

Article no longer available - archive entry

replaced by: SF5350 + E40101



### Application

Application	high-temperature range
Media	Liquids; Gases
Medium temperature [°C]	-25...80
Pressure rating [bar]	30

### Liquids

Application	high-temperature range
Medium temperature [°C]	-25...80

### Gases

Medium temperature [°C]	-25...80
-------------------------	----------

### Electrical data

Connection to control monitor	VS 0200
-------------------------------	---------

### Measuring/setting range

#### Liquids

Setting range [cm/s]	3...300
Greatest sensitivity [cm/s]	3...60

#### Gases

Setting range [cm/s]	200...2000
Greatest sensitivity [cm/s]	200...800

### Accuracy / deviations

Temperature gradient [K/min]	15
------------------------------	----

### Response times

Response time [s]	1...10
-------------------	--------

#### Liquids

Response time [s]	1...10
-------------------	--------

#### Gases

Response time [s]	1...10
-------------------	--------

### Operating conditions

Protection	IP 67
------------	-------

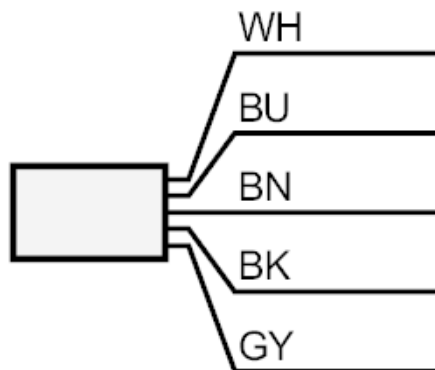
# SF1000



## Flow sensor for connection to an evaluation unit

SFM12ABA

Mechanical data	
Housing	threaded type
Dimensions [mm]	M12 x 1
Thread designation	M12 x 1
Materials	stainless steel (1.4305 / 303)
Materials (wetted parts)	stainless steel (1.4305 / 303)
Process connection	M12 x 1
Accessories	
Accessories (supplied)	sealings: 2 x AMF 30
Remarks	
Pack quantity	1 pcs.
Electrical connection	
Cable: 2 m, PUR; Maximum cable length: 100 m; 5 x 0.34 mm <sup>2</sup> , PVC	
Connection	



	Core colours :
BN =	brown
BU =	blue
BK =	black
WH =	white
GY =	grey

Article no longer available - archive entry

replaced by: SF5350 + E40101