

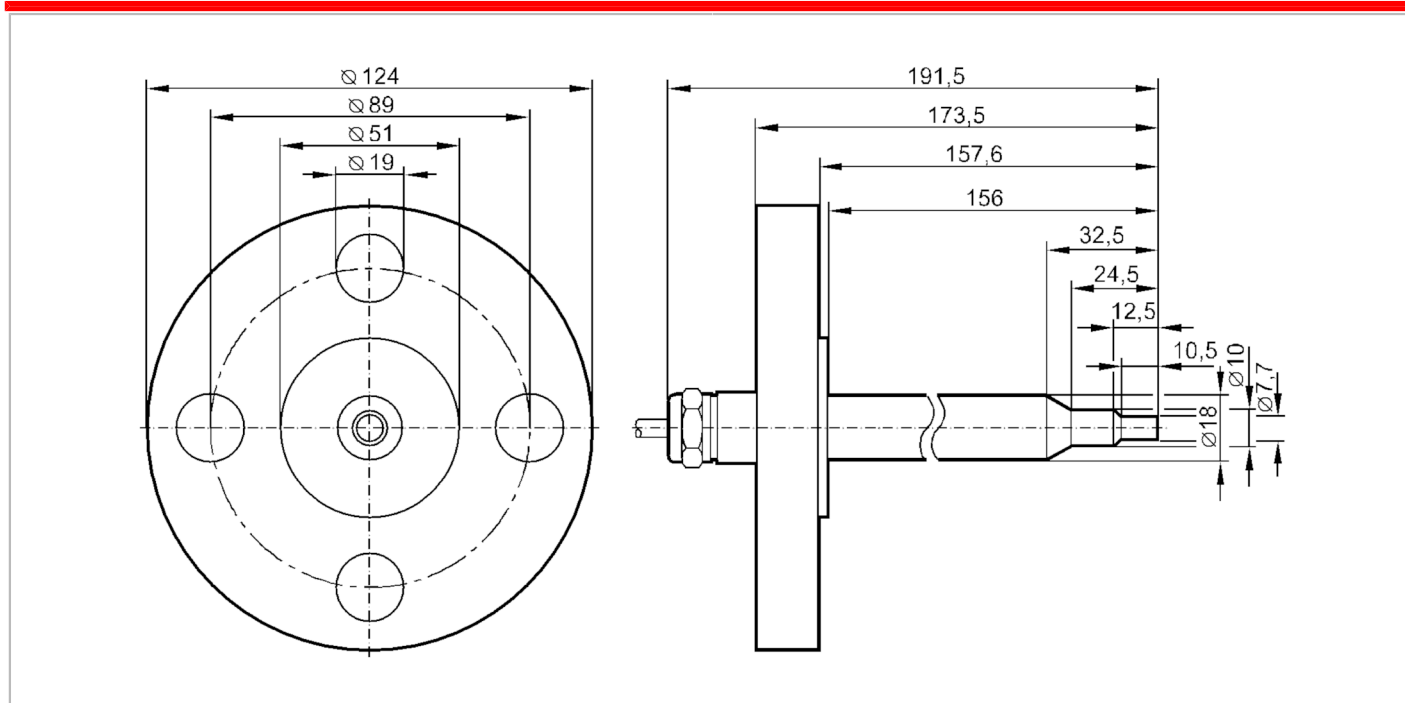
SF0713



Flow sensor for connection to an evaluation unit

SFG18ABBE1

Article no longer available - archive entry



Application		
Application		Ex zone 1
Medium temperature	[°C]	-25...80
Pressure rating	[bar]	30
Liquids		
Application		Ex zone 1
Medium temperature	[°C]	-25...80
Gases		
Medium temperature	[°C]	-25...80
Electrical data		
Connection to control monitor		VS 0200 Exi
Measuring/setting range		
Liquids		
Setting range	[cm/s]	3...300
Greatest sensitivity	[cm/s]	3...60
Gases		
Setting range	[cm/s]	200...2000
Greatest sensitivity	[cm/s]	200...800
Accuracy / deviations		
Temperature gradient	[K/min]	15
Response times		
Response time	[s]	1...10
Liquids		
Response time	[s]	1...10

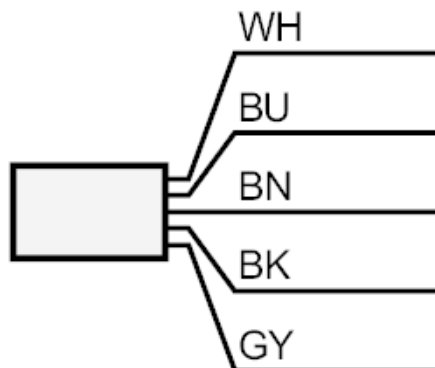
SF0713



Flow sensor for connection to an evaluation unit

SFG18ABBE1

Gases	
Response time [s]	1...10
Operating conditions	
Protection	IP 67
Mechanical data	
Housing	cylindrical
Dimensions [mm]	Ø 18
Materials	stainless steel (1.4571/316Ti)
Materials (wetted parts)	stainless steel (1.4571/316Ti)
Process connection	ANSIB 16.5 (1 in; 300 lb/sq.in)
Remarks	
Pack quantity	1 pcs.
Electrical connection	
Cable: 2 m, TPE-S; Maximum cable length: 100 m; 5 x 0.34 mm ²	
Connection	



Core colours :

BN =	brown
BU =	blue
BK =	black
WH =	white
GY =	grey

Article no longer available - archive entry