

RV6056

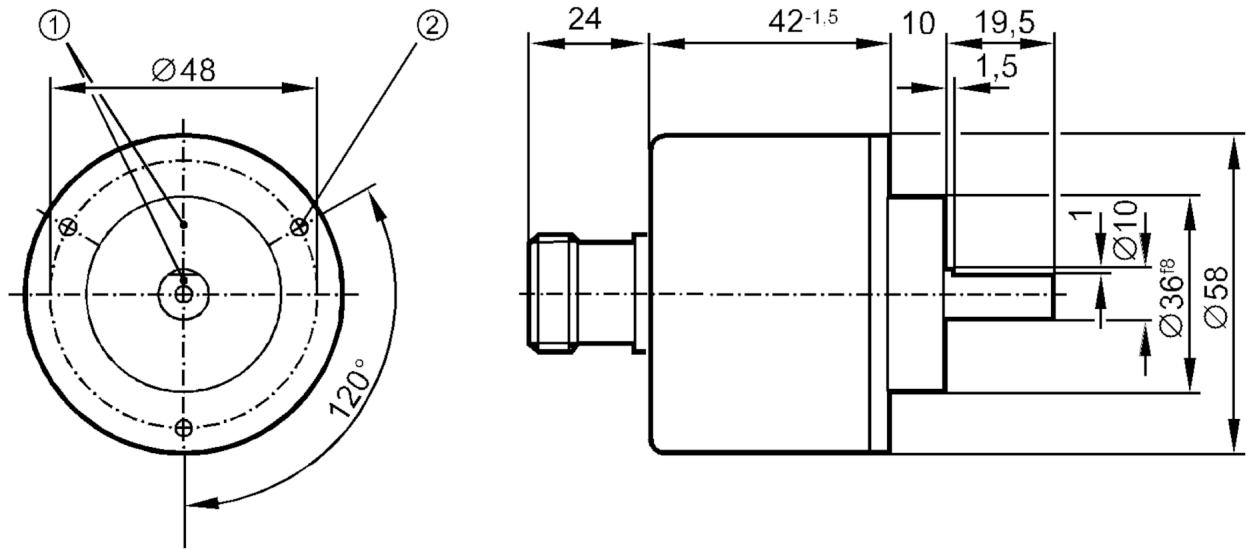


Incremental encoder with solid shaft

RV-0840-I24/S C

Article no longer available - archive entry

replaced by: RV6066



- 1 reference mark
- 2 M3 Depth 5 mm



Electrical data

Operating voltage	[V]	10...30 DC
Current consumption	[mA]	150

Outputs

Electrical design		HTL
Max. current load per output	[mA]	50
Switching frequency	[kHz]	160
Type of short-circuit protection		< 60 s
Phase difference A and B	[°]	90

Measuring/setting range

Resolution		840 resolution
------------	--	----------------

Operating conditions

Ambient temperature	[°C]	-30...85
Storage temperature	[°C]	-30...100
Max. relative air humidity	[%]	98
Protection		IP 64

Tests / approvals

Shock resistance		100 g (6 ms)
Vibration resistance		15 g (55...2000 Hz)

RV6056



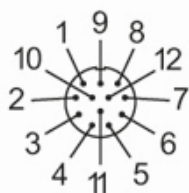
Incremental encoder with solid shaft

RV-0840-I24/S C

Mechanical data		
Dimensions	[mm]	Ø 58 / L = 95.5
Materials		aluminium
Max. revolution, mechanical	[U/min]	12000
Max. starting torque	[Nm]	1
Reference temperature torque	[°C]	20
Shaft design		solid shaft
Shaft diameter	[mm]	10
Shaft material		steel (1.4104)
Max. shaft load axial (at the shaft end)	[N]	10
Max. shaft load radial (at the shaft end)	[N]	20

Electrical connection		
1	B inverted	
2	L+ sensor	
3	0 index	
4	0 index inverted	
5	A	
6	A inverted	
7	failure inverted	
8	B	
9	n.c.	
10	0V	
11	0V sensor	
12	L+	

Connector: 1 x M23 (ifm 1001.4), axial



Diagrams and graphs	
Pulse diagram	<p>Output A Output B 0 index</p>

RV6056

Incremental encoder with solid shaft

RV-0840-I24/S C



Article no longer available - archive entry

replaced by: RV6066