

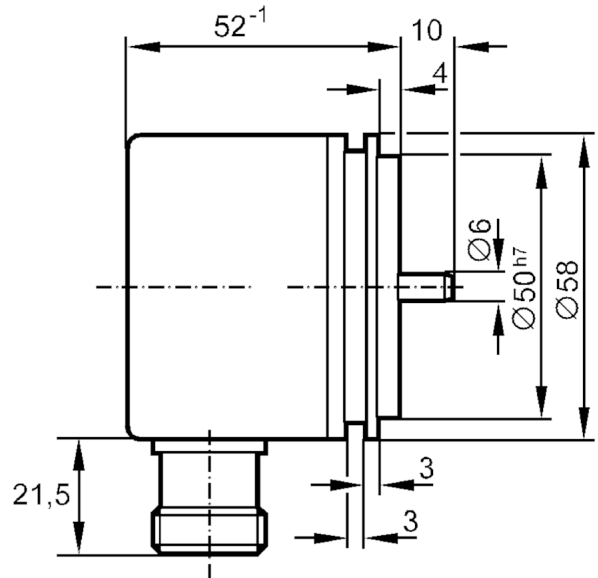
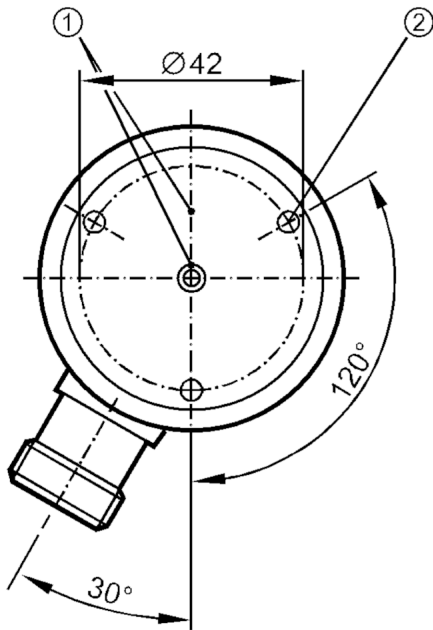
RU6068



Incremental encoder with solid shaft

RU-0100-I24/K

Article no longer available - archive entry



- 1 reference mark
- 2 M4 Depth 5 mm



Electrical data

Operating voltage	[V]	10...30 DC
Current consumption	[mA]	150

Outputs

Electrical design	HTL
Max. current load per output	[mA] 50
Switching frequency	[kHz] 160
Type of short-circuit protection	< 60 s
Phase difference A and B	[°] 90

Measuring/setting range

Resolution	100 resolution
------------	----------------

Operating conditions

Ambient temperature	[°C] -20...85
Storage temperature	[°C] -30...100
Max. relative air humidity	[%] 98
Protection	IP 64

Tests / approvals

Shock resistance	100 g (6 ms)
Vibration resistance	15 g (55...2000 Hz)



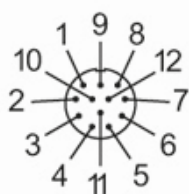
Incremental encoder with solid shaft

RU-0100-I24/K

Mechanical data		
Dimensions	[mm]	Ø 58 / L = 62
Materials		aluminium
Max. revolution, mechanical	[U/min]	12000
Max. starting torque	[Nm]	1
Reference temperature torque	[°C]	20
Shaft design		solid shaft
Shaft diameter	[mm]	6
Shaft material		steel (1.4104)
Max. shaft load axial (at the shaft end)	[N]	10
Max. shaft load radial (at the shaft end)	[N]	20
Fixing flange		synchro-flange

Electrical connection		
1	B inverted	
2	L+ sensor	
3	0 index	
4	0 index inverted	
5	A	
6	A inverted	
screen	housing	
7	failure inverted	
8	B	
9	n.c.	
10	0V (Un)	
11	0V sensor	
12	L+	

Connector: 1 x M23 (ifm 1001.4), radial



RU6068

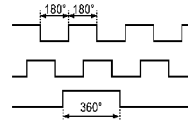


Incremental encoder with solid shaft

RU-0100-I24/K

Diagrams and graphs

Pulse diagram



Output A

Output B

0 index

Article no longer available - archive entry