

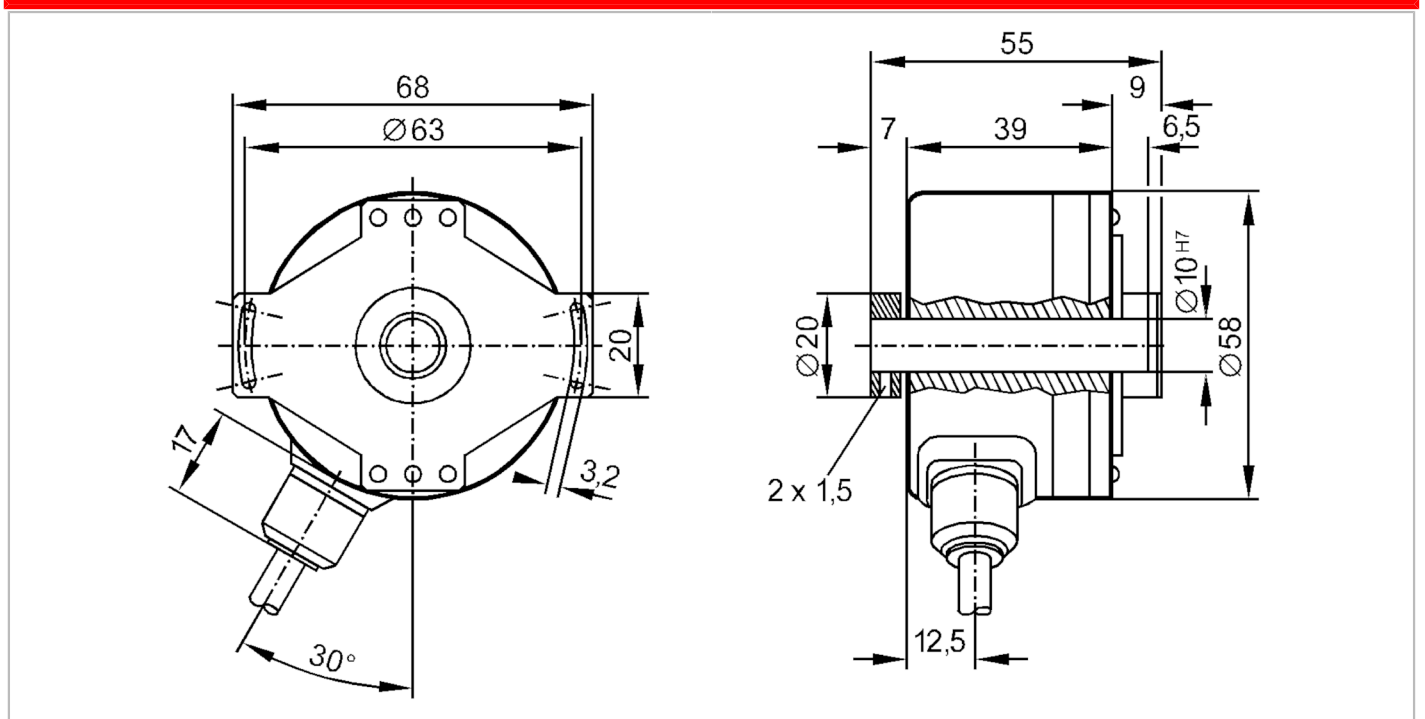
RO1328



Incremental encoder with hollow shaft

RO-1024-I05/N11

Article no longer available - archive entry



Electrical data

Operating voltage tolerance	[%]	10
Operating voltage	[V]	5 DC
Current consumption	[mA]	< 150

Outputs

Electrical design		TTL
Max. current load per output	[mA]	20
Switching frequency	[kHz]	300
Phase difference A und B	[°]	90

Measuring/setting range

Resolution		1024 resolution
------------	--	-----------------

Operating conditions

Ambient temperature	[°C]	-30...100
Storage temperature	[°C]	-30...100
Max. relative air humidity	[%]	98
Protection		IP 64

Tests / approvals

Shock resistance		100 g (6 ms)
Vibration resistance		10 g (55...2000 Hz)

RO1328



Incremental encoder with hollow shaft

RO-1024-I05/N11

Mechanical data		
Dimensions	[mm]	Ø 58 / L = 55
Materials		aluminium
Max. revolution, mechanical	[U/min]	12000
Max. starting torque	[Nm]	2.5
Reference temperature torque	[°C]	20
Shaft design		continuous hollow shaft
Shaft diameter	[mm]	10
Shaft fit		H7
Shaft material		stainless steel
Installation depth of shaft	[mm]	10
Max. axial shaft misalignment	[mm]	1; (max. radial shaft alignment: ± 0,05 mm)

Electrical connection	
Cable: 1 m, PUR; radial	
brown	A
green	A inverted
grey	B
pink	B inverted
red	0 index
black	0 index inverted
blue	L+ sensor
white	0V sensor
brown/green	L+ (Up)
white/green	0V (Un)
lilac	failure inverted
screen	housing

Diagrams and graphs	
Pulse diagram	<p>Output A Output B 0 index</p>

Article no longer available - archive entry