

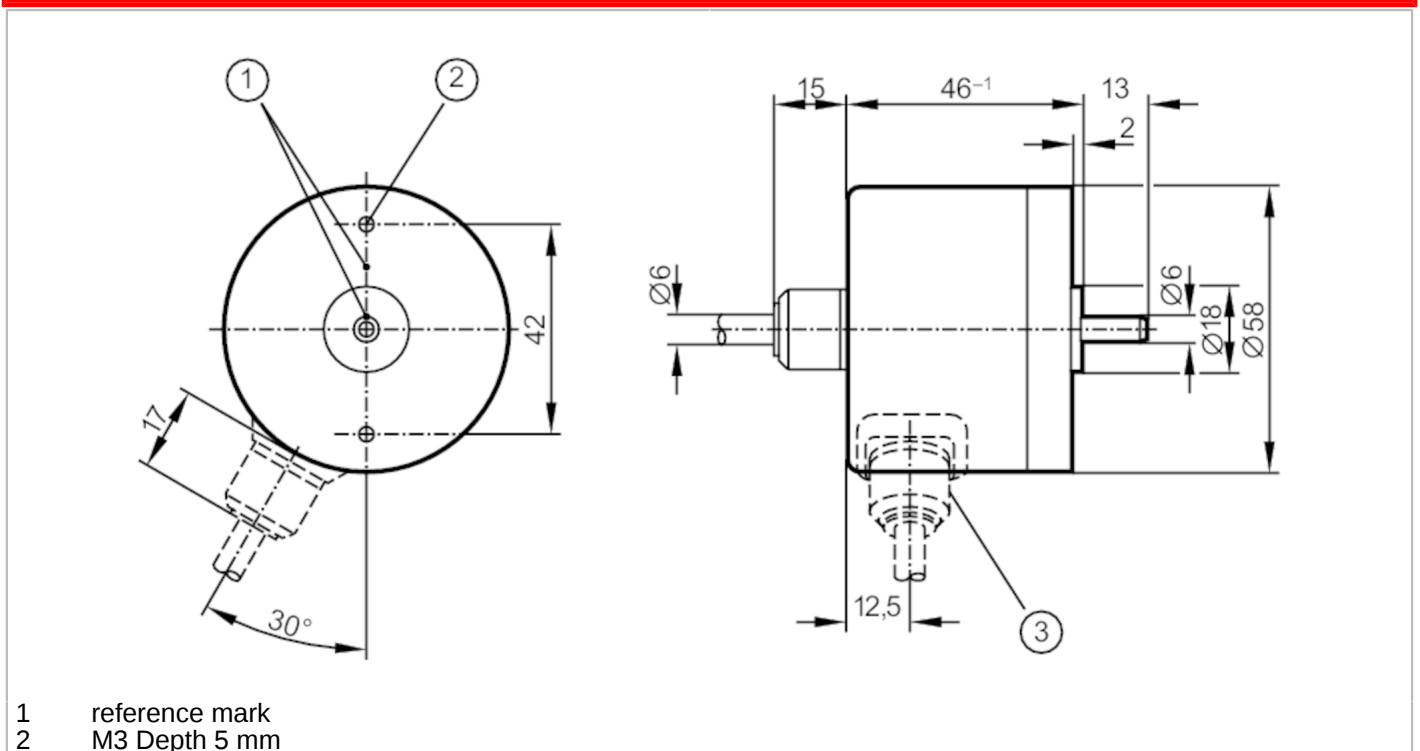
# RC6045



## Incremental encoder with solid shaft

RC-0050-I24/L6

Article no longer available - archive entry



| Electrical data                   |                     |
|-----------------------------------|---------------------|
| Operating voltage [V]             | 10...30 DC          |
| Current consumption [mA]          | 150                 |
| Outputs                           |                     |
| Electrical design                 | HTL                 |
| Max. current load per output [mA] | 50                  |
| Switching frequency [kHz]         | 300                 |
| Type of short-circuit protection  | < 60 s              |
| Phase difference A und B [°]      | 90                  |
| Measuring/setting range           |                     |
| Resolution                        | 50 resolution       |
| Operating conditions              |                     |
| Ambient temperature [°C]          | -20...85            |
| Storage temperature [°C]          | -30...100           |
| Max. relative air humidity [%]    | 98                  |
| Protection                        | IP 64               |
| Tests / approvals                 |                     |
| Shock resistance                  | 100 g (6 ms)        |
| Vibration resistance              | 10 g (55...2000 Hz) |

# RC6045



## Incremental encoder with solid shaft

RC-0050-I24/L6

| Mechanical data                           |         |                |
|---|---------|----------------|
| Dimensions                                | [mm]    | Ø 58 / L = 46  |
| Materials                                 |         | aluminium      |
| Max. revolution, mechanical               | [U/min] | 12000          |
| Max. starting torque                      | [Nm]    | 1              |
| Reference temperature torque              | [°C]    | 20             |
| Shaft design                              |         | solid shaft    |
| Shaft diameter                            | [mm]    | 6              |
| Shaft material                            |         | steel (1.4104) |
| Max. shaft load axial (at the shaft end)  | [N]     | 10             |
| Max. shaft load radial (at the shaft end) | [N]     | 20             |

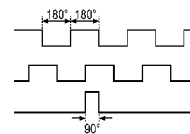
## Electrical connection

Cable: 6 m, PUR; axial

|             |                  |
|-------------|------------------|
| brown       | A                |
| green       | A inverted       |
| grey        | B                |
| pink        | B inverted       |
| red         | 0 index          |
| black       | 0 index inverted |
| blue        | L+ sensor        |
| white       | 0V sensor        |
| brown/green | L+ (Up)          |
| white/green | 0V (Un)          |
| lilac       | failure inverted |
| screen      | housing          |

## Diagrams and graphs

Pulse diagram



Output A

Output B

0 index

Article no longer available - archive entry