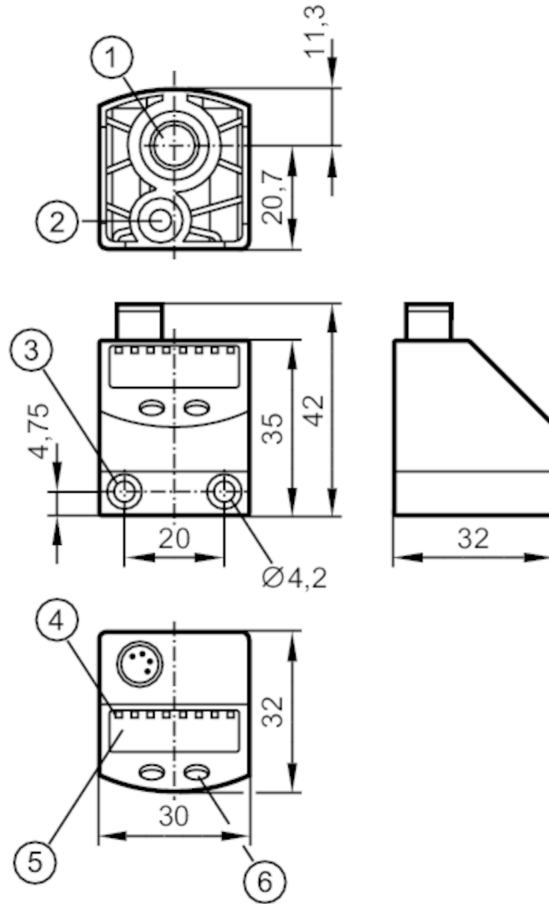


PQ3834



Pressure sensor for pneumatics

PQ-010-KHR18-KFPKG/AS/



- 1 main pressure connection G 1/8 Tightening torque < 8 Nm insertion depth < 7.5 mm
- 2 auxiliary pressure connection M 5 Tightening torque < 2.5 Nm insertion depth < 7.5 mm
- 3 Tightening torque < 0.5 Nm
- 4 LEDs Display unit / switching status
- 5 alphanumeric display 4-digit
- 6 programming button



Product characteristics

Number of inputs and outputs	Number of digital outputs: 1; Number of analogue outputs: 1			
Measuring range	-1...10 bar	-15...145 psi	-30...296 inHg	-100...1000 kPa
Process connection	threaded connection G 1/8 internal thread internal thread:M5			

Application

Special feature	Gold-plated contacts			
Application	for industrial applications			
Conditionally suitable for	other media on request			
Medium temperature [°C]	0...60			
Min. bursting pressure	30 bar	435 psi	886 inHg	3000 kPa
Note on min. burst pressure	max. overpressure on second pressure connection: 12 bar / 1200 kPa / 174 PSI / 354,4 inHg / 1,2 MPa			
Pressure rating	20 bar	290 psi	591 inHg	2000 kPa
Vacuum resistance [mbar]	-1000			
Type of pressure	relative pressure; differential pressure; vacuum			

PQ3834



Pressure sensor for pneumatics

PQ-010-KHR18-KFPKG/AS/

Electrical data					
Operating voltage	[V]	18...32 DC; (to SELV/PELV)			
Current consumption	[mA]	< 50			
Min. insulation resistance	[MΩ]	100; (500 V DC)			
Protection class		III			
Reverse polarity protection		yes			
Overvoltage protection		yes; (< 40 V)			
Power-on delay time	[s]	0.5			
Integrated watchdog		yes			
Inputs / outputs					
Number of inputs and outputs		Number of digital outputs: 1; Number of analogue outputs: 1			
Outputs					
Total number of outputs		2			
Output signal		switching signal; analogue signal; IO-Link; (configurable)			
Electrical design		PNP			
Number of digital outputs		1			
Output function		normally open / normally closed; (parameterisable)			
Max. voltage drop switching output DC	[V]	2			
Permanent current rating of switching output DC	[mA]	100			
Switching frequency DC	[Hz]	< 100			
Number of analogue outputs		1			
Analogue current output	[mA]	4...20			
Max. load	[Ω]	500			
Short-circuit protection		yes			
Type of short-circuit protection		pulsed			
Measuring/setting range					
Measuring range		-1...10 bar	-15...145 psi	-30...296 inHg	-100...1000 kPa
Set point SP		-0.9...10 bar	-13...145 psi	-26...296 inHg	-90...1000 kPa
Reset point rP		-0.95...9.95 bar	-14...144 psi	-28...294 inHg	-95...995 kPa
In steps of		0.05 bar	1 psi	2 inHg	5 kPa
Accuracy / deviations					
Switch point accuracy	[% of the span]	< ± 0,5			
Repeatability	[% of the span]	< ± 0,1; (with temperature fluctuations < 10 K)			
Characteristics deviation	[% of the span]	< ± 0,25 (BFSL) / < ± 0,5 (LS); (BFSL = Best Fit Straight Line; LS = limit value setting)			
Hysteresis deviation	[% of the span]	< ± 0,25			
Long-term stability	[% of the span]	< ± 0,05; (per 6 months)			
Temperature coefficient zero point	[% of the span / 10 K]	0,2; (0...60 °C)			

PQ3834



Pressure sensor for pneumatics

PQ-010-KHR18-KFPKG/AS/

Temperature coefficient span [% of the span / 10 K]	0,2; (0...60 °C)
Response times	
Response time [ms]	< 6
Delay time programmable dS, dr [s]	0; 0,002...5
Step response time analogue output [ms]	6
Software / programming	
Parameter setting options	hysteresis / window; normally open / normally closed; analogue output; IO-Link; switching logic; switch-on/switch-off delay; Damping; Display unit
Interfaces	
Communication interface	IO-Link
Transmission type	COM2 (38,4 kBaud)
IO-Link revision	1.1
SDCI standard	IEC 61131-9 FDIS
Profiles	Smart Sensor: Process Data Variable; Device Identification
SIO mode	yes
Required master port type	A
Process data analogue	1
Process data binary	2
Min. process cycle time [ms]	2.3
Supported DeviceIDs	Type of operation Default
	DeviceID 367
Operating conditions	
Ambient temperature [°C]	0...70
Storage temperature [°C]	-25...85
Protection	IP 65
Tests / approvals	
EMC	DIN EN 61000-6-2 DIN EN 61000-6-3
Shock resistance	DIN EN 60068-2-27 50 g (11 ms)
Vibration resistance	DIN EN 60068-2-6 20 g (10...2000 Hz)
MTTF [years]	437
Pressure Equipment Directive	Sound engineering practice; can be used for group 2 fluids; group 1 fluids on request
Mechanical data	
Weight [g]	87
Materials	PBT; FKM; polyester
Materials (wetted parts)	brass; FKM; silicon (coated); PBT
Min. pressure cycles	50 million
Process connection	threaded connection G 1/8 internal thread internal thread:M5

PQ3834



Pressure sensor for pneumatics

PQ-010-KHR18-KFPKG/AS/

Displays / operating elements

Display	Display unit	4 x LED, green
	switching status	1 x LED, yellow
	function display	alphanumeric display, 4-digit
	measured values	alphanumeric display, 4-digit
Display unit	bar; kPa; psi; inHg	

Remarks

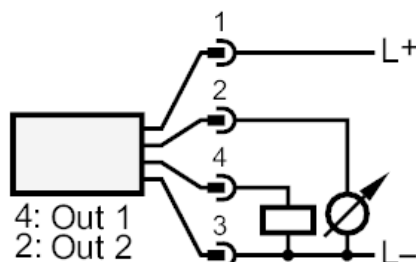
Pack quantity	1 pcs.
---------------	--------

Electrical connection

Connector: 1 x M8; coding: A; Contacts: gold-plated



Connection



OUT1	switching output
OUT2	analogue output