

IN5317

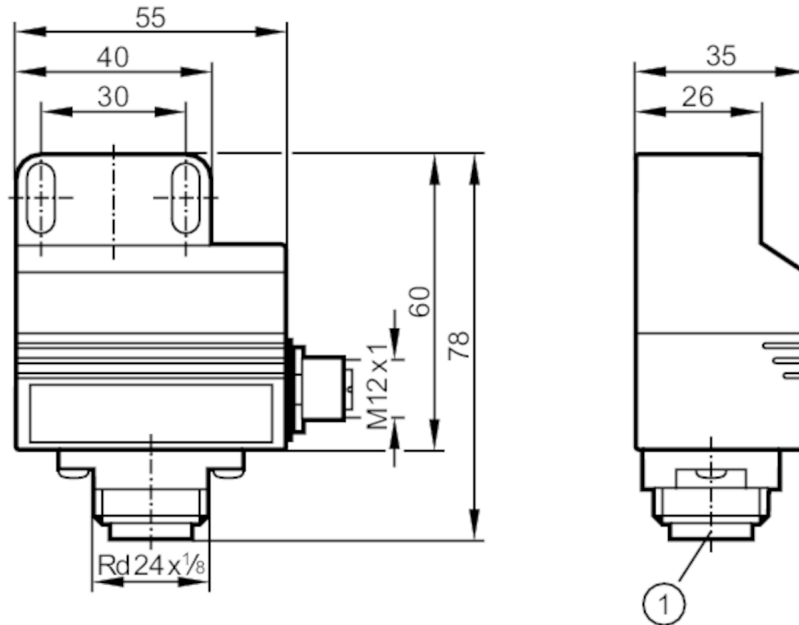


Inductive dual sensor for valve actuators

IND3004DBPKG/T2

Article no longer available - archive entry

replaced by: IN5334



1 field connection



Application

Application for actuators using standard ISO 5211 (VDI/VDE) mounting

Electrical data

Operating voltage [V]	10...36 DC
Current consumption [mA]	20; (24 V)
Reverse polarity protection	no

Outputs

Electrical design	PNP
Max. voltage drop switching output DC [V]	2.5
Permanent current rating of switching output DC [mA]	250
Switching frequency DC [Hz]	1300
Short-circuit protection	no
Overload protection	no

Detection zone

Sensing range [mm]	4
--------------------	---

Operating conditions

Ambient temperature [°C]	-25...80
Protection	IP 67

IN5317



Inductive dual sensor for valve actuators

IND3004DBPKG/T2

Mechanical data		
Housing		rectangular
Mounting		non-flush mountable
Dimensions	[mm]	40 x 26 x 60
Materials		PBT; PC
Displays / operating elements		
Display	switching status	2 x LED, yellow
Remarks		
Pack quantity		1 pcs.
Electrical connection		
Connector: 1 x Rd24		
Connector: 1 x M12		

Article no longer available - archive entry

replaced by: IN5334