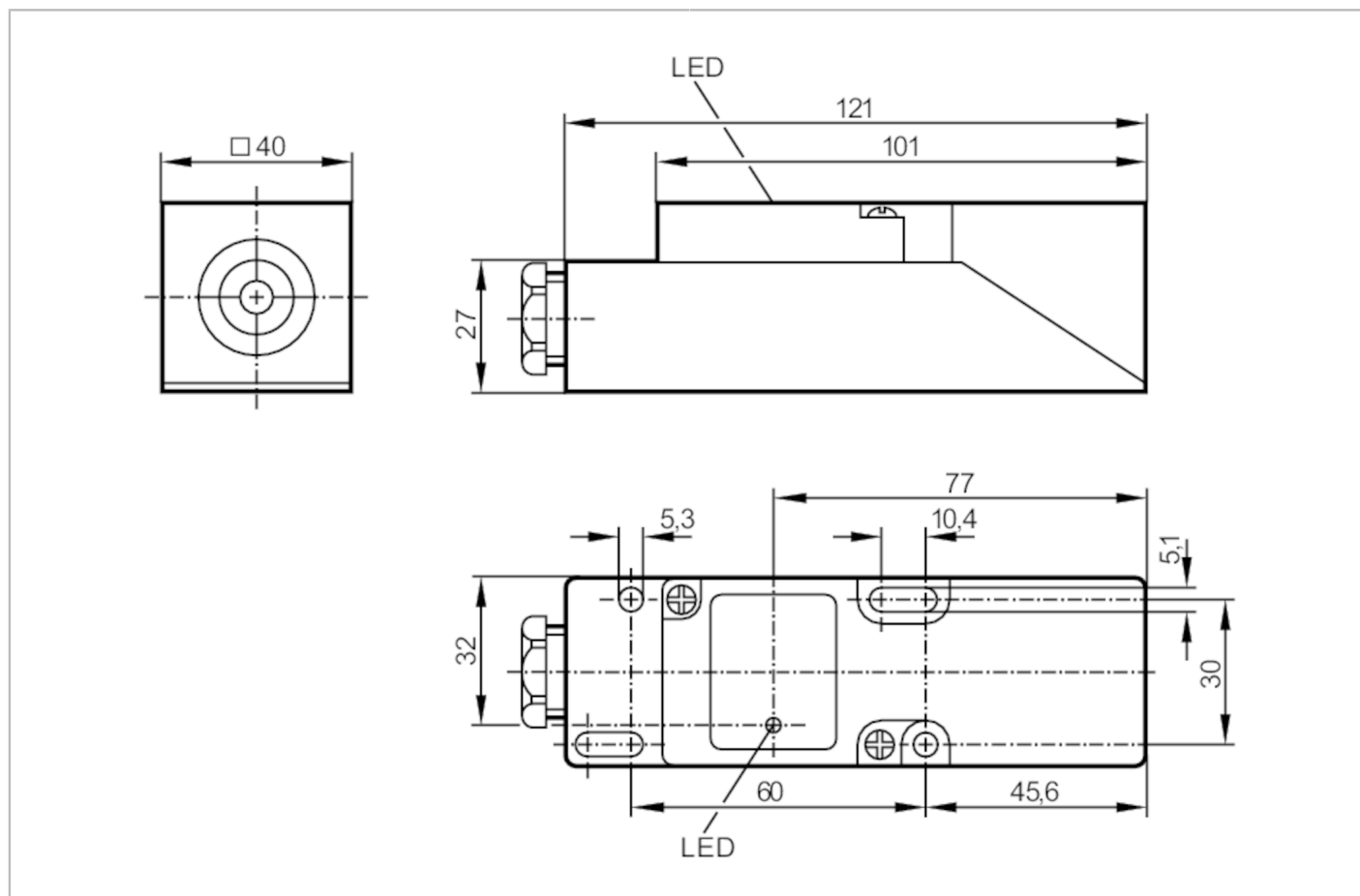


# IM5037



## Inductive sensor

IME2015BFRKG



### Electrical data

Operating voltage	[V]	10...55 DC
Protection class		II
Reverse polarity protection		yes

### Outputs

Electrical design		PNP/NPN
Output function		normally open / normally closed; (selectable)
Max. voltage drop switching output DC	[V]	4.6
Minimum load current	[mA]	4
Max. leakage current	[mA]	1
Permanent current rating of switching output DC	[mA]	400
Switching frequency DC	[Hz]	250
Short-circuit protection		yes
Type of short-circuit protection		pulsed
Overload protection		yes

# IM5037



## Inductive sensor

IME2015BFRKG

Detection zone		
Sensing range	[mm]	15
Real sensing range Sr	[mm]	15 ± 10 %
Operating distance	[mm]	0...12.1
Accuracy / deviations		
Correction factor		steel: 1 / stainless steel: 0.7 / brass: 0.4 / aluminium: 0.3 / copper: 0.2
Hysteresis	[% of Sr]	1...15
Switch point drift	[% of Sr]	-10...10
Operating conditions		
Ambient temperature	[°C]	-25...80
Protection		IP 65
Tests / approvals		
EMC		EN 60947-5-2
MTTF	[years]	1635
Mechanical data		
Weight	[g]	189
Housing		rectangular
Mounting		flush mountable
Dimensions	[mm]	40 x 40 x 120
Materials		PPE
Displays / operating elements		
Display	switching status	1 x LED, yellow
Remarks		
Remarks		5 positions of the active zone possible
Pack quantity		1 pcs.
Electrical connection		
terminals: ...2.5 mm <sup>2</sup> ; Cable sheath: Ø 7...13 mm; Cable gland: M20 X 1.5		
Connection		

