

# IM5015

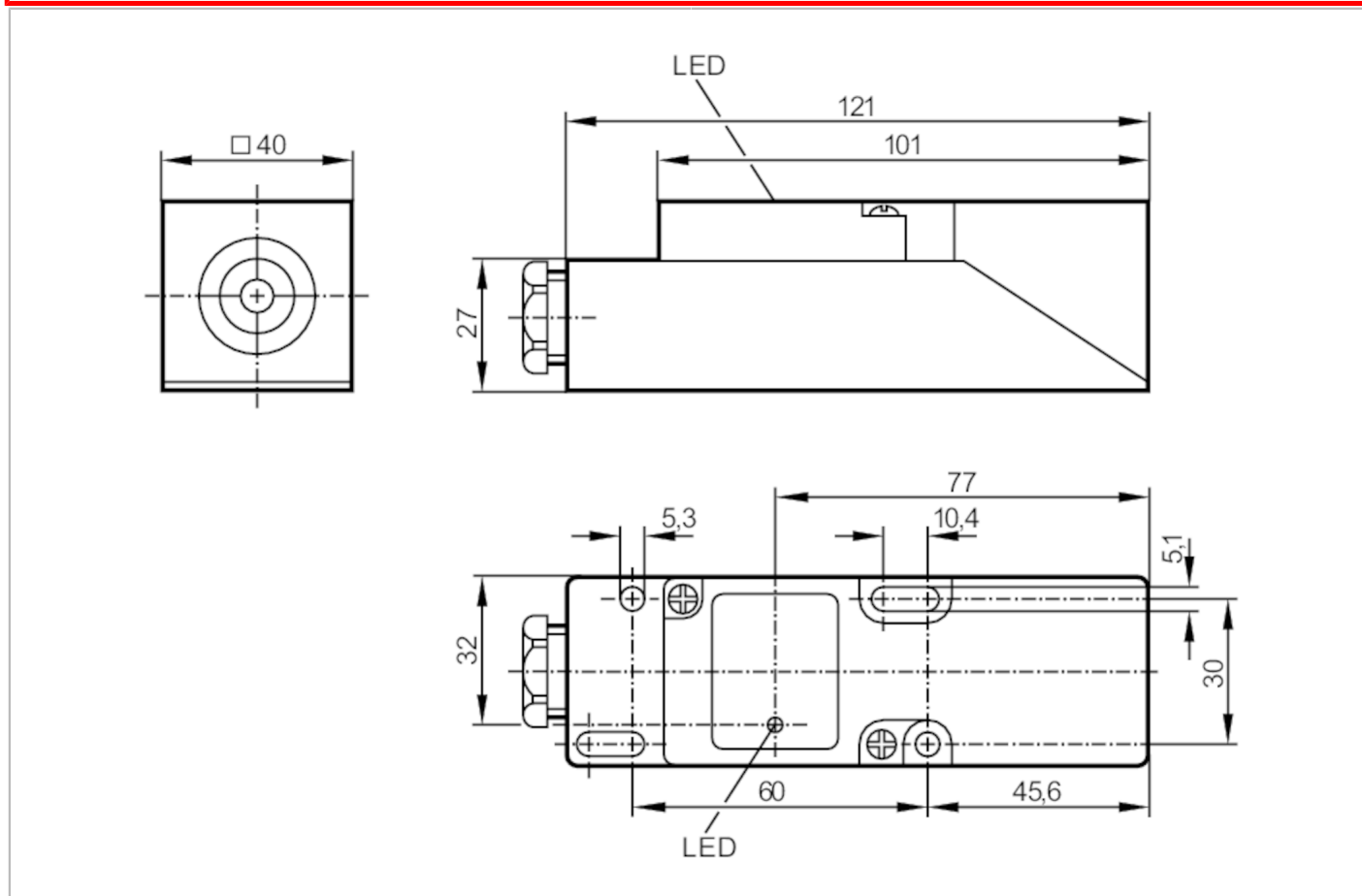


## Inductive sensor

IME2015BFROG

Article no longer available - archive entry

replaced by: IM5037



Electrical data	
Operating voltage [V]	8...30 DC
Protection class	II
Reverse polarity protection	no
Outputs	
Electrical design	PNP/NPN
Output function	normally open / normally closed; (selectable)
Max. voltage drop switching output DC [V]	5.5
Minimum load current [mA]	5
Max. leakage current [mA]	1.4 (24 V DC)
Permanent current rating of switching output DC [mA]	200
Switching frequency DC [Hz]	18
Short-circuit protection	no
Overload protection	no

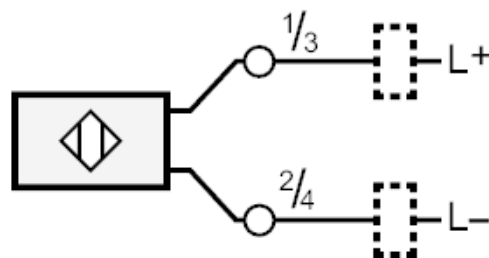
# IM5015



## Inductive sensor

IME2015BFROG

Detection zone		
Sensing range	[mm]	15
Real sensing range Sr	[mm]	15 ± 10 %
Operating distance	[mm]	0...12.1
Accuracy / deviations		
Correction factor		steel: 1 / stainless steel: 0.7 / brass: 0.4 / aluminium: 0.4 / copper: 0.3
Hysteresis	[% of Sr]	1...15
Switch point drift	[% of Sr]	-10...10
Operating conditions		
Ambient temperature	[°C]	-25...80
Protection		IP 65
Mechanical data		
Housing		rectangular
Mounting		flush mountable
Dimensions	[mm]	40 x 40 x 120
Materials		PPE modified
Displays / operating elements		
Display	switching status	1 x LED, yellow
Remarks		
Pack quantity		1 pcs.
Electrical connection		
terminals: ...2.5 mm <sup>2</sup> ; Cable sheath: Ø 7...13 mm		
Connection		



Article no longer available - archive entry

replaced by: IM5037