

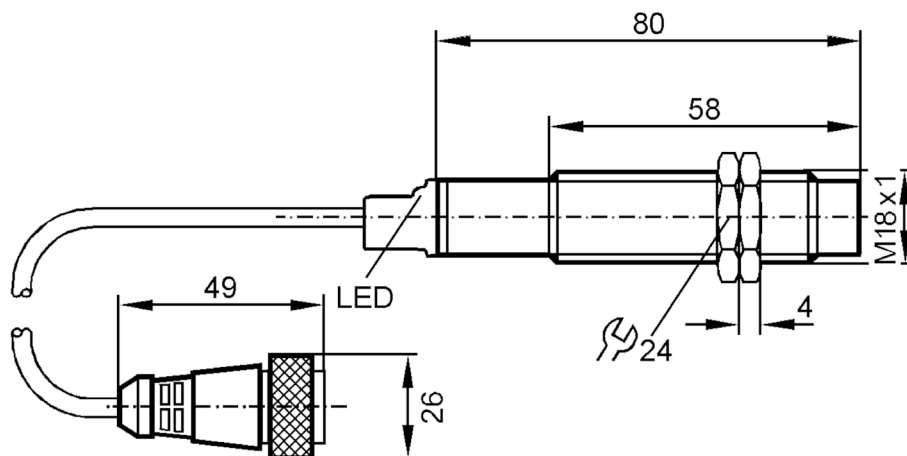
# IG9216

## Inductive sensor

IGA2008-ARKG/2M/WS/INOX



Article no longer available - archive entry



### Electrical data

Operating voltage	[V]	10...55 DC
Protection class		II
Reverse polarity protection		yes

### Outputs

Electrical design		PNP/NPN
Output function		normally open
Max. voltage drop switching output DC	[V]	4.6
Minimum load current	[mA]	4
Max. leakage current	[mA]	0.6
Permanent current rating of switching output DC	[mA]	400
Switching frequency DC	[Hz]	300
Short-circuit protection		yes
Type of short-circuit protection		pulsed
Overload protection		yes

### Detection zone

Sensing range	[mm]	8
Real sensing range $S_r$	[mm]	$8 \pm 10\%$
Operating distance	[mm]	0...6.5

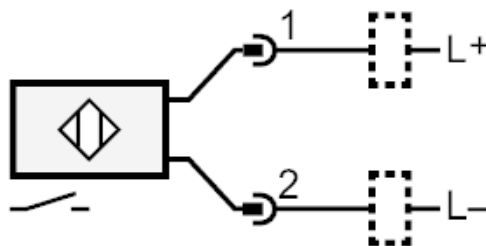
# IG9216



## Inductive sensor

IGA2008-ARKG/2M/WS/INOX

Accuracy / deviations		
Correction factor	steel: 1 / stainless steel: 0.7 / brass: 0.5 / aluminium: 0.4 / copper: 0.3	
Hysteresis [% of Sr]	3...15	
Switch point drift [% of Sr]	-10...10	
Operating conditions		
Ambient temperature [°C]	-25...80	
Protection	IP 67	
Tests / approvals		
EMC	EN 60947-5-2	
Mechanical data		
Housing	threaded type	
Mounting	non-flush mountable	
Dimensions [mm]	M18 x 1	
Thread designation	M18 x 1	
Materials	PBT; stainless steel (1.4404 / 316L)	
Displays / operating elements		
Display	switching status	1 x LED, yellow
Accessories		
Accessories (supplied)	lock nuts: 2	
Remarks		
Pack quantity	1 pcs.	
Electrical connection		
Cable: 2 m, PVC		
Connection		



Connector: 1 x Ø 26 mm

Article no longer available - archive entry