

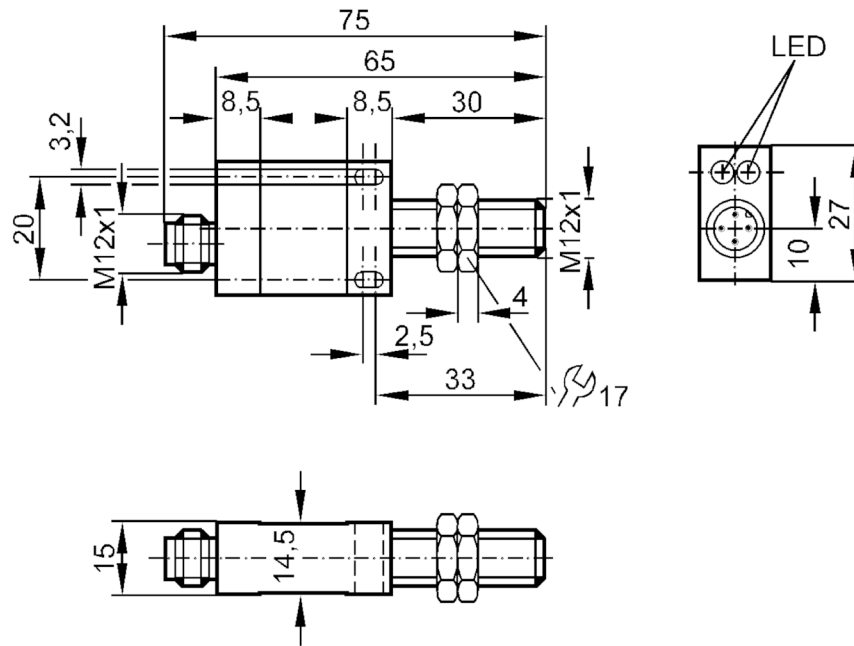
IF5847

Inductive AS-Interface sensor

IFA2002-ASI /US-100



Article no longer available - archive entry



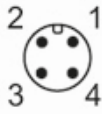
Electrical data		
Operating voltage	[V]	26.5...31.6 DC
Current consumption	[mA]	< 30
Protection class		III
Reverse polarity protection		yes
Outputs		
Electrical design		AS-i
Short-circuit protection		yes
Type of short-circuit protection		pulsed
Overload protection		yes
Detection zone		
Sensing range	[mm]	2
Operating conditions		
Ambient temperature	[°C]	-25...70
Protection		IP 65

IF5847



Inductive AS-Interface sensor

IFA2002-ASI /US-100

Tests / approvals		
EMC	EN 60947-5-2 EN 55011	class B
AS-i classification		
AS-i I/O configuration [hex]		1
AS-i ID code [hex]		1
AS-i certificate pending		yes
Mechanical data		
Housing		threaded type
Mounting		flush mountable
Dimensions [mm]		M12 x 1
Thread designation		M12 x 1
Materials		brass white bronze coated; PBT
Displays / operating elements		
Display	switching status	1 x LED, yellow
	unsafe zone	1 x LED, red sensor coil wire break, sensor coil short circuit Sr: 0...10 % (< 10 Hz) Sn: 80...115 % (< 10 Hz)
Accessories		
Accessories (supplied)		lock nuts: 2
Remarks		
Remarks		Assured range: approx. 10...80 % of Sn
Pack quantity		1 pcs.
Electrical connection - plug		
Connector: 1 x M12		
		

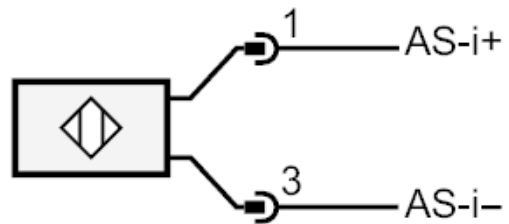
IF5847



Inductive AS-Interface sensor

IFA2002-ASI /US-100

Connection



Article no longer available - archive entry