

IF0266

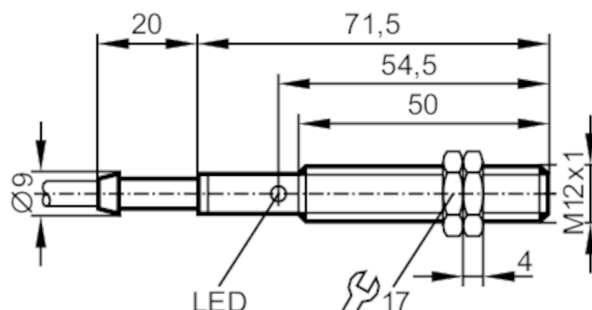


Inductive sensor

IFA2002-BBOW/ 6mPPU

Article no longer available - archive entry

replaced by: IF0314



Electrical data

Frequency AC	[Hz]	47...63
Operating voltage	[V]	90...250 AC
Protection class		II
Reverse polarity protection		no

Outputs

Output function		normally closed
Max. voltage drop switching output AC	[V]	8.5
Minimum load current	[mA]	8
Max. leakage current	[mA]	3 (250 V AC) / 1.5 (120 V AC)
Permanent current rating of switching output AC	[mA]	200; (250 (...50 °C))
Short-time current rating of switching output	[mA]	900; (20 ms / 0,5 Hz)
Switching frequency AC	[Hz]	25
Short-circuit protection		no
Overload protection		no

Detection zone

Sensing range	[mm]	2
Real sensing range Sr	[mm]	2 ± 10 %
Operating distance	[mm]	0...1.6

Accuracy / deviations

Correction factor		steel: 1 / stainless steel: 0.7 / brass: 0.4 / aluminium: 0.3 / copper: 0.2
Hysteresis	[% of Sr]	1...15
Switch point drift	[% of Sr]	-10...10

Operating conditions

Ambient temperature	[°C]	-25...80
Protection		IP 67

Tests / approvals

EMC	EN 60947-5-2	class B
	EN 55011	

IF0266



Inductive sensor

IFA2002-BBOW/ 6mPPU

Mechanical data	
Housing	threaded type
Mounting	flush mountable
Dimensions [mm]	M12 x 1 / L = 71.5
Thread designation	M12 x 1
Materials	stainless steel (1.4571/316Ti); PBT

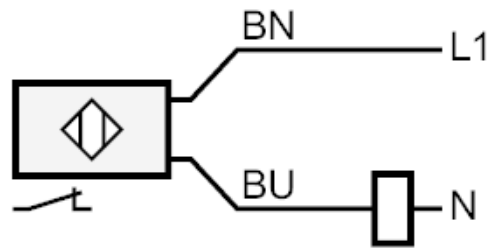
Displays / operating elements		
Display	switching status	1 x LED, yellow

Accessories	
Accessories (supplied)	lock nuts: 2

Remarks	
Pack quantity	1 pcs.

Electrical connection
Cable: 6 m, PUR / PVC; 2 x 0.5 mm²

Connection



Core colours :
BN = brown
BU = blue

Article no longer available - archive entry

replaced by: IF0314