

# ID5004

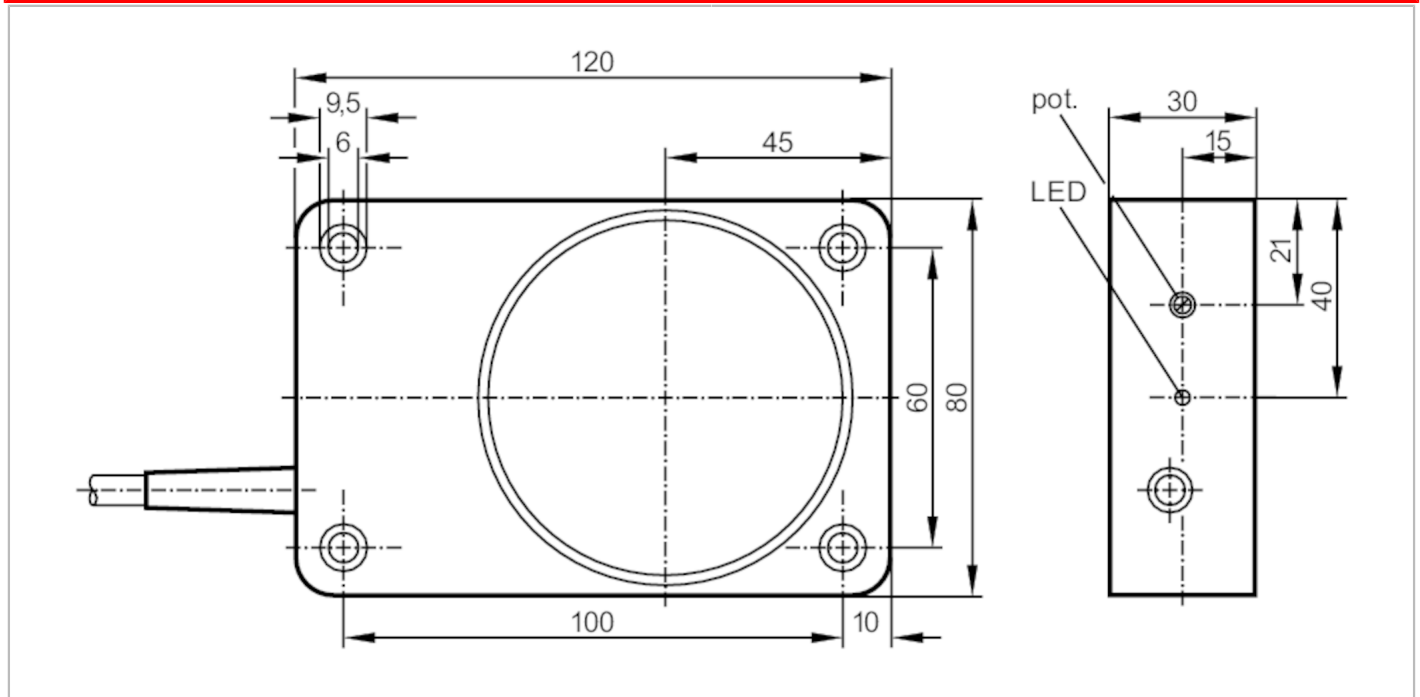


## Inductive sensor

ID-3050-BPOG

Article no longer available - archive entry

replaced by: ID5026



Electrical data		
Operating voltage	[V]	10...30 DC
Current consumption	[mA]	7; (24 V)
Reverse polarity protection		no
Outputs		
Electrical design		PNP
Output function		normally open
Max. voltage drop switching output DC	[V]	1
Permanent current rating of switching output DC	[mA]	200
Switching frequency DC	[Hz]	30
Short-circuit protection		no
Overload protection		no
Detection zone		
Sensing range	[mm]	50
Sensing range adjustable		yes
Factory setting sensing range	[mm]	50
Real sensing range $S_r$	[mm]	$50 \pm 10 \%$
Operating distance	[mm]	0...40.5
Accuracy / deviations		
Correction factor		steel: 1 / stainless steel: 0.7 / brass: 0.4 / aluminium: 0.3 / copper: 0.2
Hysteresis	[% of $S_r$ ]	1...15
Switch point drift	[% of $S_r$ ]	-10...10

# ID5004

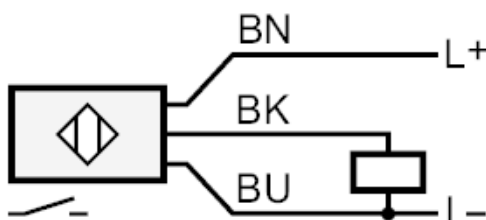


## Inductive sensor

ID-3050-BPOG

Operating conditions		
Ambient temperature	[°C]	-10...50
Protection		IP 65
Tests / approvals		
EMC	EN 60947-5-2	
	EN 55011	class B
Mechanical data		
Housing		rectangular
Mounting		non-flush mountable
Dimensions	[mm]	120 x 80 x 30
Materials		PPE modified
Displays / operating elements		
Display	switching status	1 x LED, yellow
Accessories		
Accessories (supplied)		screwdriver: 1
Remarks		
Pack quantity		1 pcs.
Electrical connection		
Cable: 2 m, PVC; 3 x 0.5 mm <sup>2</sup>		

### Connection



	Core colours :
BN =	brown
BU =	blue
BK =	black

Article no longer available - archive entry

replaced by: ID5026