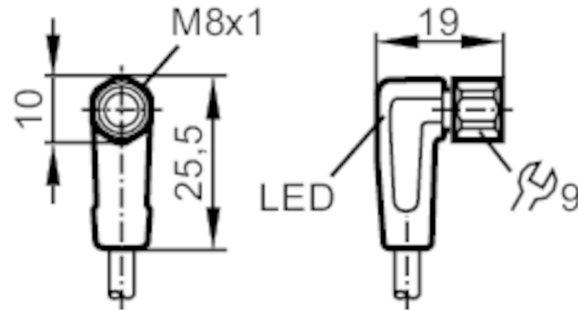


EVF133



Connecting cable with socket

ADOAF032VAS0025P03



Application		
Special feature	Free from silicone; Halogen-free; Gold-plated contacts; Drag chain suitability	
Application	hygienic and wet areas in the food industry	
Free from silicone	yes	
Electrical data		
Operating voltage [V]	10...36 DC; (cULus: 10 ... 30 DC)	
Protection class	III	
Max. current load total [A]	3	
Outputs		
Electrical design	PNP	
Operating conditions		
Ambient temperature [°C]	-25...80	
Ambient temperature (moving) [°C]	5...80	
Protection	IP 65; IP 67; IP 68; IP 69K	
Tests / approvals		
UL approval	power supply	Class 2

EVF133



Connecting cable with socket

ADOAF032VAS0025P03

Mechanical data		
Weight [g]	696.8	
Dimensions [mm]	19 x 10 x 25.5	
Materials	housing: PP black transparent; Sealing: EPDM	
Material nut	stainless steel (1.4404 / 316L)	
Drag chain suitability	yes	
Drag chain suitability	bending radius for flexible use	min. 10 x cable diameter
	travel speed	max. 3.3 m/s for a horizontal travel length of 5 m and max. acceleration of 5 m/s ²
	bending cycles	> 1 Mio.
	torsional strain	± 180 °/m

Displays / operating elements		
Display	switching status	1 x LED, yellow
	operation	1 x LED, green

Remarks	
Pack quantity	1 pcs.

Electrical connection	
Cable: 25 m, MPPE, Halogen-free, grey, Ø 4.9 mm; 3 x 0.34 mm ² (42 x Ø 0.1 mm)	

Electrical connection - socket
Connector: 1 x M8, angled; coding: A; Locking: stainless steel (1.4404 / 316L); Contacts: gold-plated; Tightening torque: 0.3...0.5 Nm



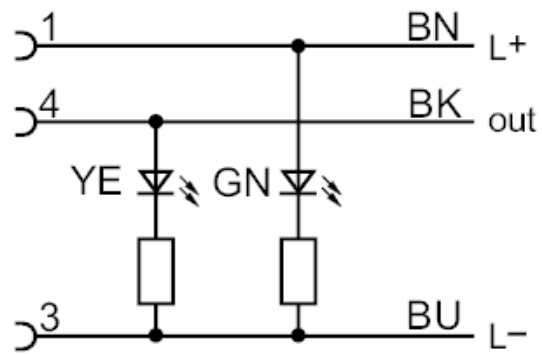
EVF133



Connecting cable with socket

ADOAF032VAS0025P03

Connection



Core colours :

BK = black
BN = brown
BU = blue