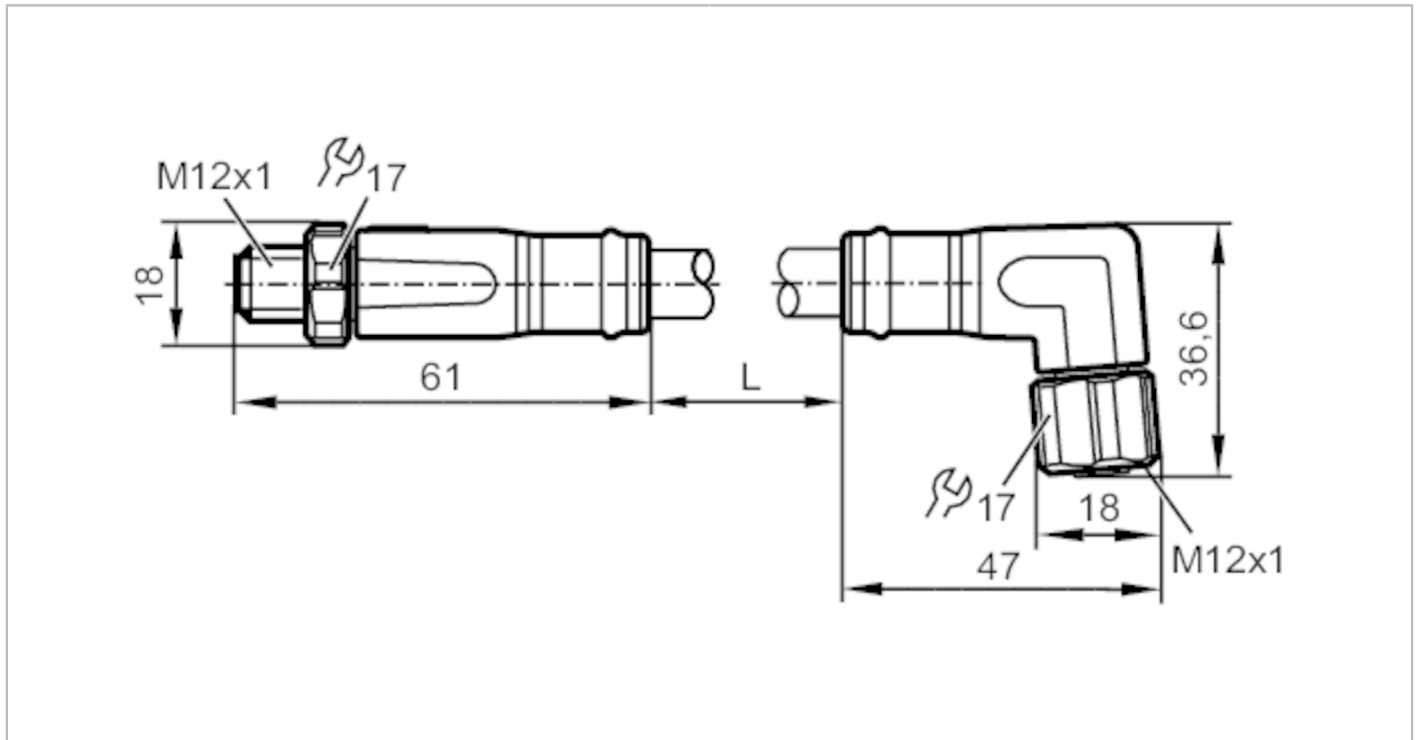


EVF631



Connection cable

VDOAE050VAS0002P05STGE050VAS



| Application | |
|---|--|
| Special feature | Free from silicone; Halogen-free; Gold-plated contacts; Drag chain suitability |
| Design | power cable, L-coded |
| Application | Use in wet areas and in the food and beverage industry |
| Free from silicone | yes |
| Electrical data | |
| Operating voltage [V] | 63 DC |
| Protection class | III |
| Max. current load total [A] | 16 |
| Operating conditions | |
| Ambient temperature [°C] | -25...100 |
| Storage temperature [°C] | -25...55 |
| Storage humidity [%] | 10...100 |
| Other climatic conditions for storage according to stated class | 1K22/ DIN 60721-3-1 |
| Protection | IP 65; IP 67; IP 69K |

EVF631



Connection cable

VDOAE050VAS0002P05STGE050VAS

| Mechanical data | | |
|------------------------|---------------------------------|--|
| Weight [g] | 422.2 | |
| Moulded-body material | PP | |
| Material nut | stainless steel (1.4404 / 316L) | |
| Sealing material | EPDM | |
| Drag chain suitability | yes | |
| Drag chain suitability | bending radius for flexible use | min. 10 x cable diameter |
| | travel speed | max. 3.3 m/s for a horizontal travel length of 5 m and max. acceleration of 5 m/s ² |
| | bending cycles | > 1 Mio. |
| | torsional strain | ± 180 °/m |

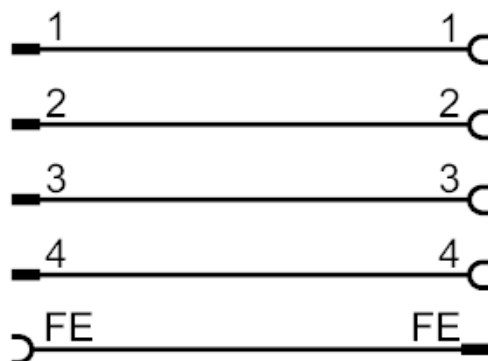
| Remarks | |
|---------------|--------|
| Pack quantity | 1 pcs. |

Electrical connection
Cable: 2 m, MPPE, Halogen-free, grey, Ø 10.1 mm; 5 x 2.5 mm² (141 x Ø 0.15 mm)

Electrical connection - plug
Connector: 1 x M12, straight; coding: L; Moulded body: PP, grey; Locking: stainless steel (1.4404 / 316L); Contacts: gold-plated;
Tightening torque: 0.6...1.2 Nm



Electrical connection - 2
Connection



Electrical connection - socket
Connector: 1 x M12, angled; coding: L; Moulded body: PP, grey; Locking: stainless steel (1.4404 / 316L); Sealing: EPDM; Contacts: gold-plated; Tightening torque: 0.6...1.2 Nm

EVF631



Connection cable

VDOAE050VAS0002P05STGE050VAS

