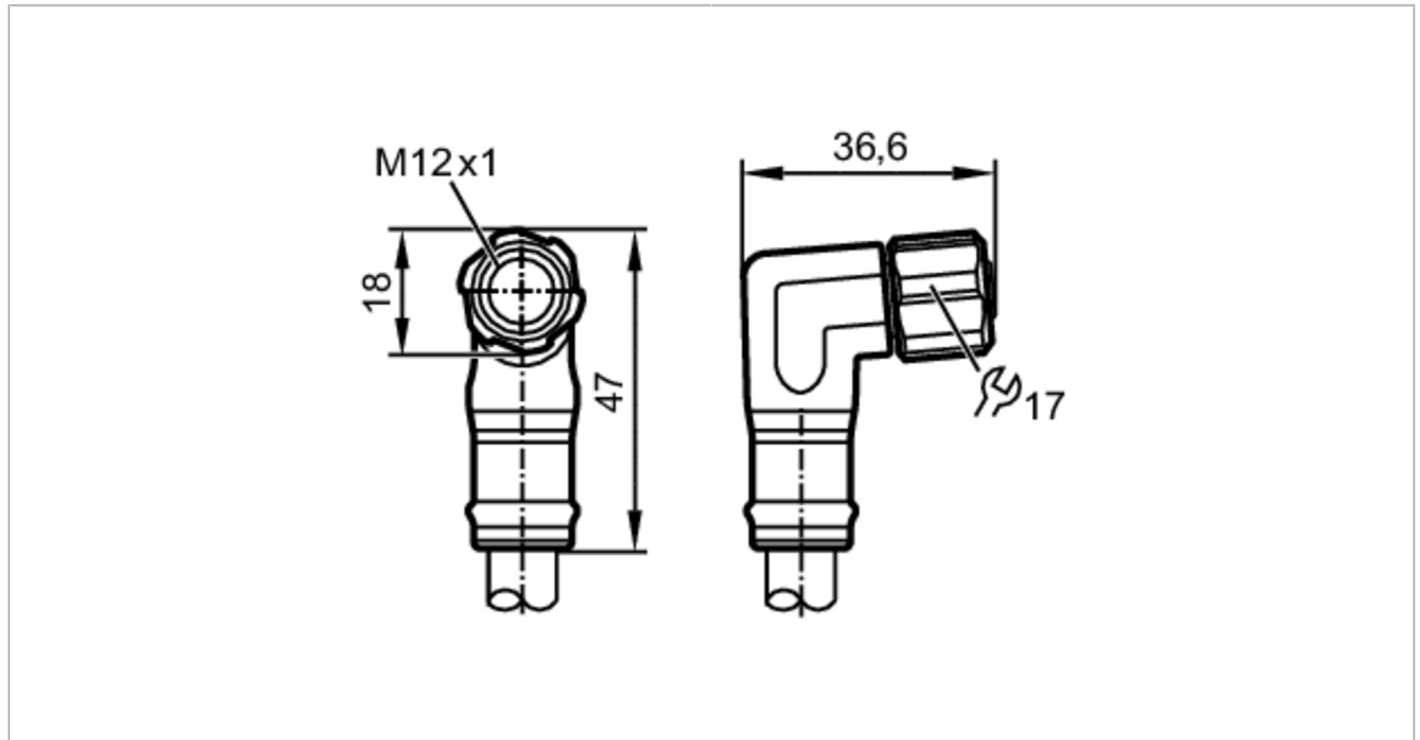


EVF617



Connecting cable with socket

ADOAE050VAS0005P05



Application	
Special feature	Free from silicone; Halogen-free; Gold-plated contacts; Drag chain suitability
Design	power cable, L-coded
Application	Use in wet areas and in the food and beverage industry
Free from silicone	yes
Electrical data	
Operating voltage [V]	63 DC
Protection class	III
Max. current load total [A]	16
Operating conditions	
Ambient temperature [°C]	-25...100
Storage temperature [°C]	-25...55
Storage humidity [%]	10...100
Other climatic conditions for storage according to stated class	1K22/ DIN 60721-3-1
Protection	IP 65; IP 67; IP 69K

EVF617



Connecting cable with socket

ADOAE050VAS0005P05

Mechanical data		
Weight [g]	952.65	
Moulded-body material	PP	
Material nut	stainless steel (1.4404 / 316L)	
Sealing material	EPDM	
Drag chain suitability	yes	
Drag chain suitability	bending radius for flexible use	min. 10 x cable diameter
	travel speed	max. 3.3 m/s for a horizontal travel length of 5 m and max. acceleration of 5 m/s ²
	bending cycles	> 1 Mio.
	torsional strain	± 180 °/m

Remarks	
Pack quantity	1 pcs.

Electrical connection
Cable: 5 m, MPPE, Halogen-free, grey, Ø 10.1 mm; 5 x 2.5 mm ² (141 x Ø 0.15 mm)

Electrical connection - socket
Connector: 1 x M12, angled; coding: L; Moulded body: PP, grey; Locking: stainless steel (1.4404 / 316L); Sealing: EPDM; Contacts: gold-plated; Tightening torque: 0.6...1.2 Nm



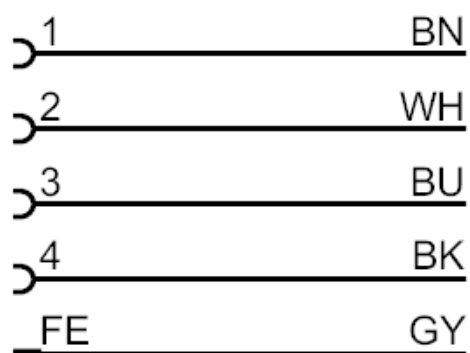
EVF617



Connecting cable with socket

ADOAE050VAS0005P05

Connection



Core colours :

BK =	black
BN =	brown
BU =	blue
GY =	grey
WH =	white