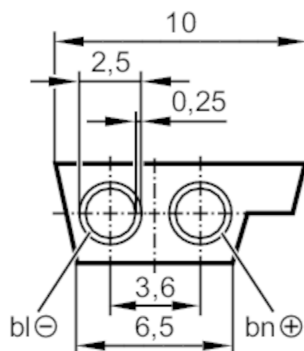


# E74416



## AS-Interface flat cable

Flat cable 200 m EPDM bk 2.5 qmm



Application	
Application	external 24 V power supply
Electrical data	
Operating voltage [V]	< 24 DC
Operating conditions	
Ambient temperature [°C]	-40...85
Protection	IP 67
Mechanical data	
Weight [g]	15000
Remarks	
Remarks	200 m supplied on a wooden reel
Pack quantity	1 pcs.
Electrical connection	
Cable: 200 m, EPDM, Halogen-free, black; 2 x 2.5 mm <sup>2</sup>	