

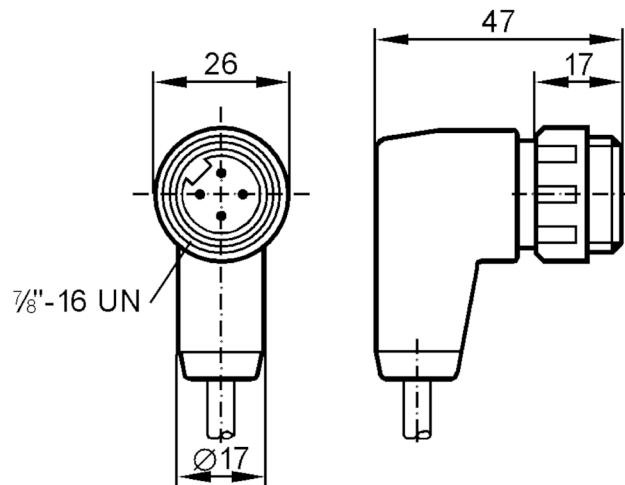
E70174



Connecting cable with plug

ASTAB040PLS0005E04

Article no longer available - archive entry



Electrical data

Operating voltage [V] < 250 AC / 10...55 DC

Operating conditions

Ambient temperature [°C] -25...90

Protection IP 67

Mechanical data

Materials TPU

Moulded-body material TPU

Material nut PA

Remarks

Remarks pin 2 leading

Pack quantity 1 pcs.

Electrical connection

Cable: 5 m, PVC, orange, Ø 6.3 mm; 4 x 0.5 mm² (16 x Ø 0.2 mm)

Electrical connection - plug

Connector: 1 x 7/8", angled; Moulded body: TPU; Locking: PA; Tightening torque: 0.5 Nm



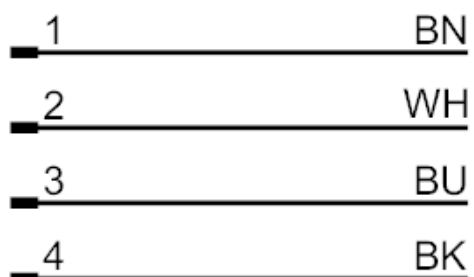
E70174



Connecting cable with plug

ASTAB040PLS0005E04

Connection



Core colours :

BK = black
BN = brown
BU = blue
WH = white