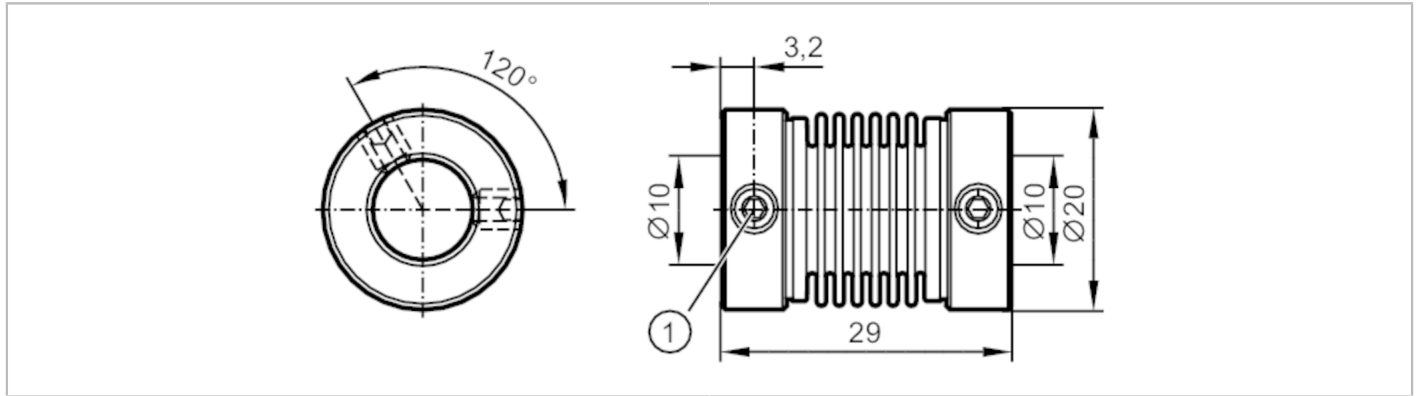


# E60216



## Flexible coupling with clamp connection

COUPLING V4A



Mechanical data	
Weight [g]	33
Materials	flange: 1.4404 (V4A/316L); Bellow: 1.4571 (V4A/316Ti)
External diameter D [mm]	20
Inside diameter A1 [mm]	10
Inside diameter A2 [mm]	10
Length L [mm]	29
Depth of the clamping hub [mm]	6.5
Clamp screw [mm]	M4
Max. revolution, mechanical [U/min]	10000
Max. axial shaft misalignment [mm]	± 0,4
Max. radial shaft misalignment [mm]	± 0,25
Max. angular displacement [°]	± 4,0
Remarks	
Remarks	The data indicated apply to couplings with the above hub borings at an ambient temperature of 23 °C. The values of radial, angular and axial displacement are maximum values which must not reach their maximum simultaneously while in operation.
Pack quantity	1 pcs.