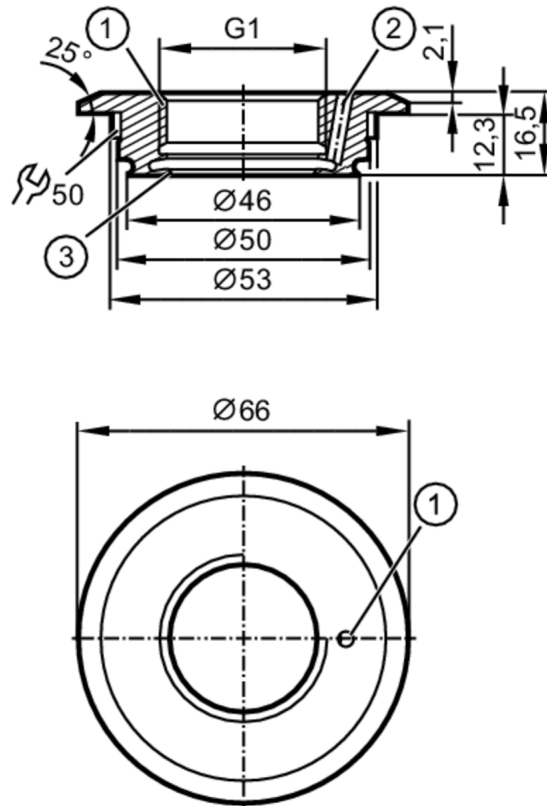


E33228



Process adapter Varivent

ADAPT IFM-VARIV TYP F (D=50)3A



- 1 Aseptoflex Vario
- 2 Leakage port
- 3 sealing area



EC 1935/2004 EHEDG Certified



Application	
Design	with leakage port
Pressure rating [bar]	25
Tests / approvals	
Pressure Equipment Directive	A possible classification to PED depends on the application and has to be carried out by the user / operator.
Pressure Equipment Directive EAC	The adapter is intended for use in devices, machines and installations that do not fall under the categories of the technical rule TR CU 032/2013.
Safety instructions	The compatibility between medium and product material has to be checked in all applications.
Mechanical data	
Weight [g]	225
Materials (wetted parts)	stainless steel (1.4435 / 316L) ; surface characteristics : Ra<0,4 / Rz 4
Sensor connection	G 1 Aseptoflex Vario
Process connection	Varivent Form F, DN25 (1"), Ø 50 mm
Sealing	Gasket
Hygienic equipment class to DIN 11866	H4

E33228



Process adapter Varivent

ADAPT IFM-VARIV TYP F (D=50)3A

Accessories	
Items supplied	O-ring: 1 x 24 x 2, EPDM, FDA compliant, E30054
Accessories (optional)	O-ring: 1 x 24 x 2, FKM, FDA compliant, E30123
	sealing ring: 1, PEEK, FDA compliant, E30124
Remarks	
Pack quantity	1 pcs.