

# E10993



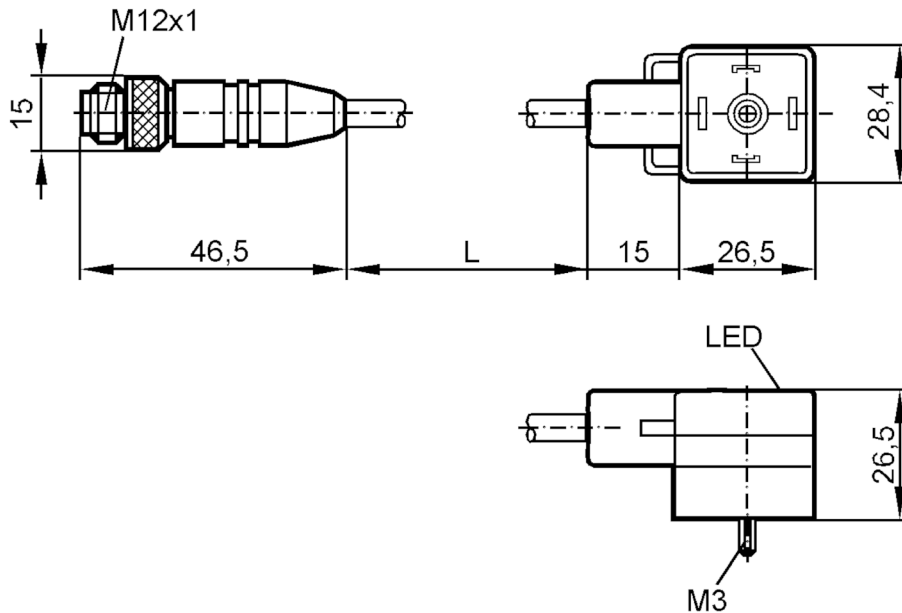
## Jumper cable with valve plug

VVDAA041--S00,6H03STGH030MSS

Article no longer available - archive entry

Alternative articles: E11417

When selecting an alternative article and accessories please note that technical data may differ!



### Application

Special feature Halogen-free

### Electrical data

Operating voltage [V] < 24 AC/DC

Oversvoltage protection yes; (VDR)

### Operating conditions

Ambient temperature [°C] -25...90

Protection IP 67

### Mechanical data

Dimensions [mm] 15 x 15 x 46.5

Materials TPU

Moulded-body material TPU

Material nut brass, nickel-plated

### Accessories

Items supplied screw  
panel for labelling

### Remarks

Pack quantity 1 pcs.

### Electrical connection - plug

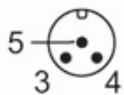
Connector: 1 x M12, straight; Moulded body: TPU; Locking: brass, nickel-plated

# E10993



## Jumper cable with valve plug

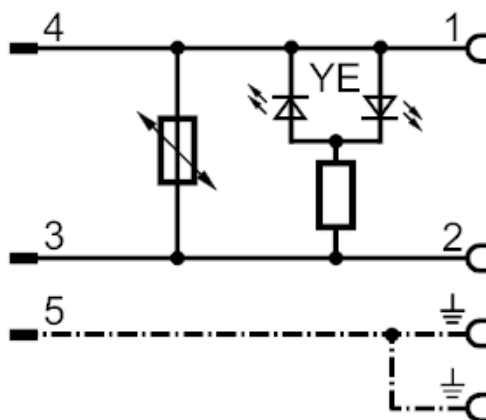
VVDAA041--S00,6H03STGH030MSS



### Electrical connection

Cable: 0.6 m, PUR, Halogen-free; 3 x 0.5 mm<sup>2</sup>

### Connection



### Electrical connection - socket

Connector: 1 x valve type A DIN, angled; Moulded body: TPU; Locking: brass, nickel-plated

