

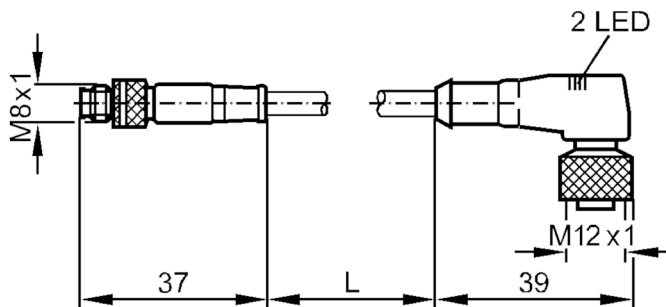
# E10941



## Connection cable

VDOAH042MSS0001H03STGF030MSS

Article no longer available - archive entry



### Application

Special feature	Halogen-free
-----------------	--------------

### Electrical data

Operating voltage [V]	10...30 DC
Protection class	III

### Operating conditions

Ambient temperature [°C]	-25...90
Protection	IP 67

### Mechanical data

Materials	TPU
Moulded-body material	TPU
Material nut	brass, nickel-plated

### Displays / operating elements

Display	switching status	1 x LED, yellow
	operation	1 x LED, green

### Remarks

Pack quantity	1 pcs.
---------------	--------

### Electrical connection - plug

Connector: 1 x M8, straight; Moulded body: TPU; Locking: brass, nickel-plated



# E10941



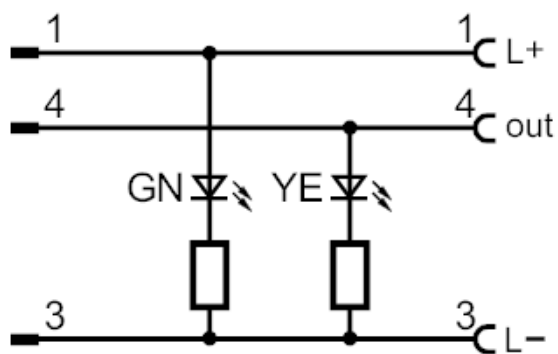
## Connection cable

VDOAH042MSS0001H03STGF030MSS

### Electrical connection

Cable: 1 m, Halogen-free; 3 x 0.34 mm<sup>2</sup>

### Connection



### Electrical connection - socket

Connector: 1 x M12, angled; Moulded body: TPU; Locking: brass, nickel-plated

