

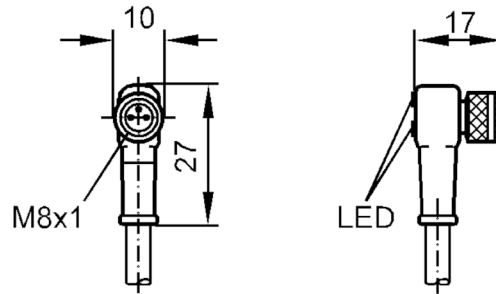
E10814



Connecting cable with socket

ADOAF032VAS0020A03

Article no longer available - archive entry



Electrical data

Operating voltage	[V]	10...30 DC
Protection class		III

Operating conditions

Ambient temperature	[°C]	-25...90
Protection		IP 67

Mechanical data

Materials	PUR
Moulded-body material	PUR
Material nut	stainless steel (1.4305 / 303)

Displays / operating elements

Display	switching status	1 x LED, yellow
	operation	1 x LED, green

Remarks

Pack quantity	1 pcs.
---------------	--------

Electrical connection

Cable: 20 m, PUR / PVC, black, Ø 4.5 mm; 3 x 0.25 mm² (128 x Ø 0.05 mm)

Electrical connection - socket

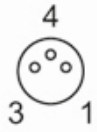
Connector: 1 x M8, angled; Moulded body: PUR; Locking: stainless steel (1.4305 / 303)

E10814

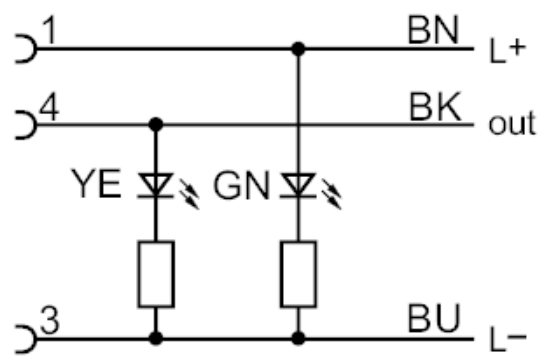


Connecting cable with socket

ADOAF032VAS0020A03



Connection



Core colours :

BK = black
BN = brown
BU = blue