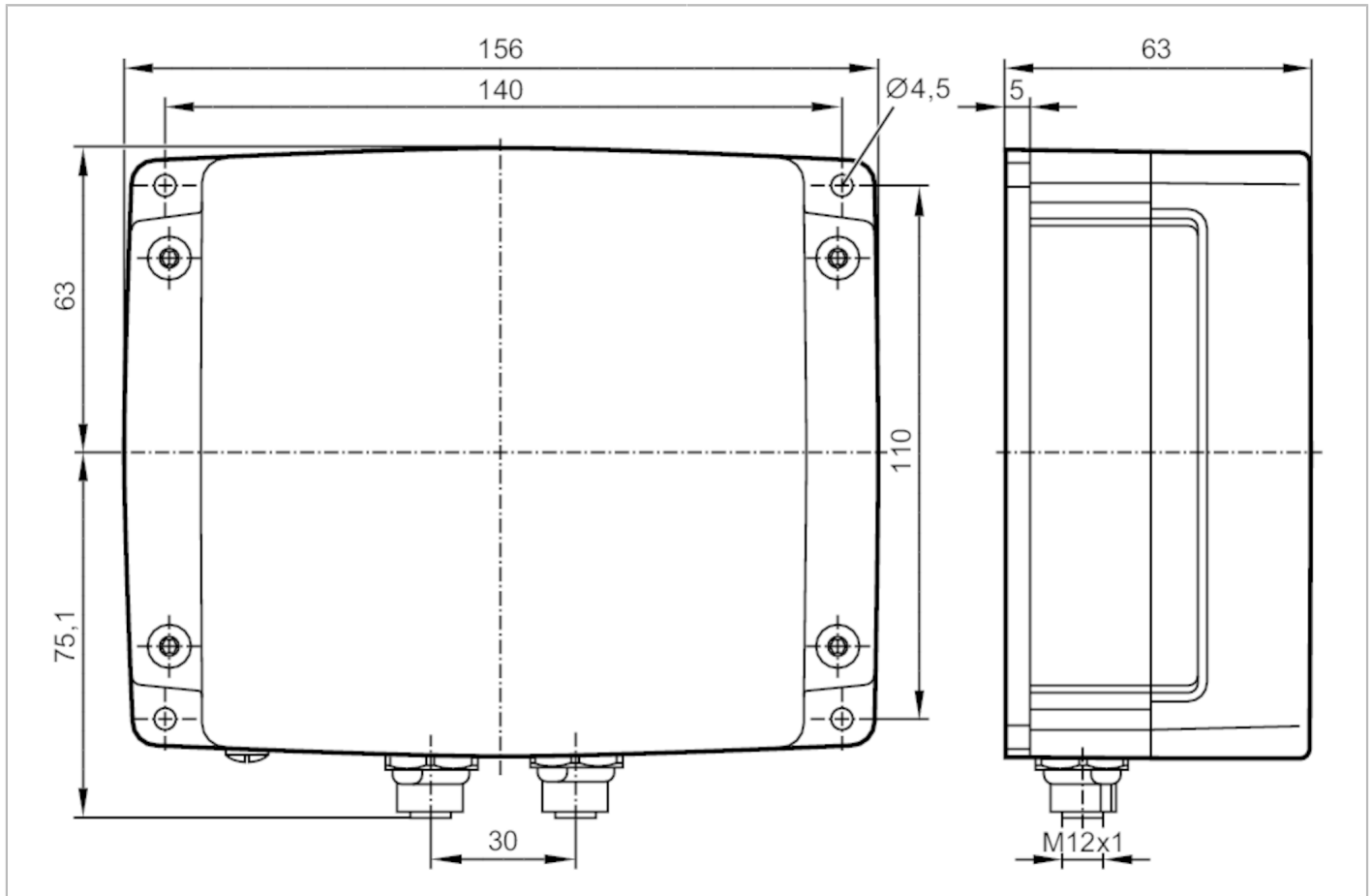


# DTE820



## RFID evaluation unit UHF

DTEUHF ABRWETUS04




Application	
Radio approval for	Europe
Electrical data	
Operating voltage [V]	24 DC
Current consumption [mA]	220
Operating frequency [MHz]	865-868 (ETSI)
RFID standard	EPC Class1 GEN2/ISO 18000-6C
Transmission power ERP [mW]	266
Antenna gain [dB]	2.5
Impedance [ $\Omega$ ]	50
Software / programming	
Parameter setting options	Software
Interfaces	
Communication interface	Ethernet
Ethernet	
Protocol	TCP/IP
Operating conditions	
Ambient temperature [°C]	-20...55
Storage temperature [°C]	-40...85
Protection	IP 65

# DTE820



## RFID evaluation unit UHF

DTEUHFE ABRWETUS04

Mechanical data		
Weight	[g]	1272
Housing		rectangular
Dimensions	[mm]	138.1 x 63 x 156
Materials		housing: aluminium; Protective cover: plastics; connector: diecast zinc / plastic
Displays / operating elements		
Display	operation	1 x LED, red green
Remarks		
Pack quantity		1 pcs.
Electrical connection - Ethernet / PoE		
1	TD+ PoE 1	
2	RD+ PoE 2	
3	TD- PoE 1	
4	RD- PoE 2	
Connector: 1 x M12		
		
Electrical connection - GPIO / RS-232 / Ub		
1	GPIO - OUT3	
2	GPIO - GND	
3	GND	
4	RS-232 - GND	
5	RS-232 - RXD	
6	RS-232 - TXD	
7	24 V DC	
8	GPIO - OUT2	
9	GPIO - IN3	
10	GPIO - OUT1	
11	GPIO - IN2	
12	GPIO - IN1	
Connector: 1 x M12		

# DTE820

## RFID evaluation unit UHF

DTEUHFE ABRWETUS04

