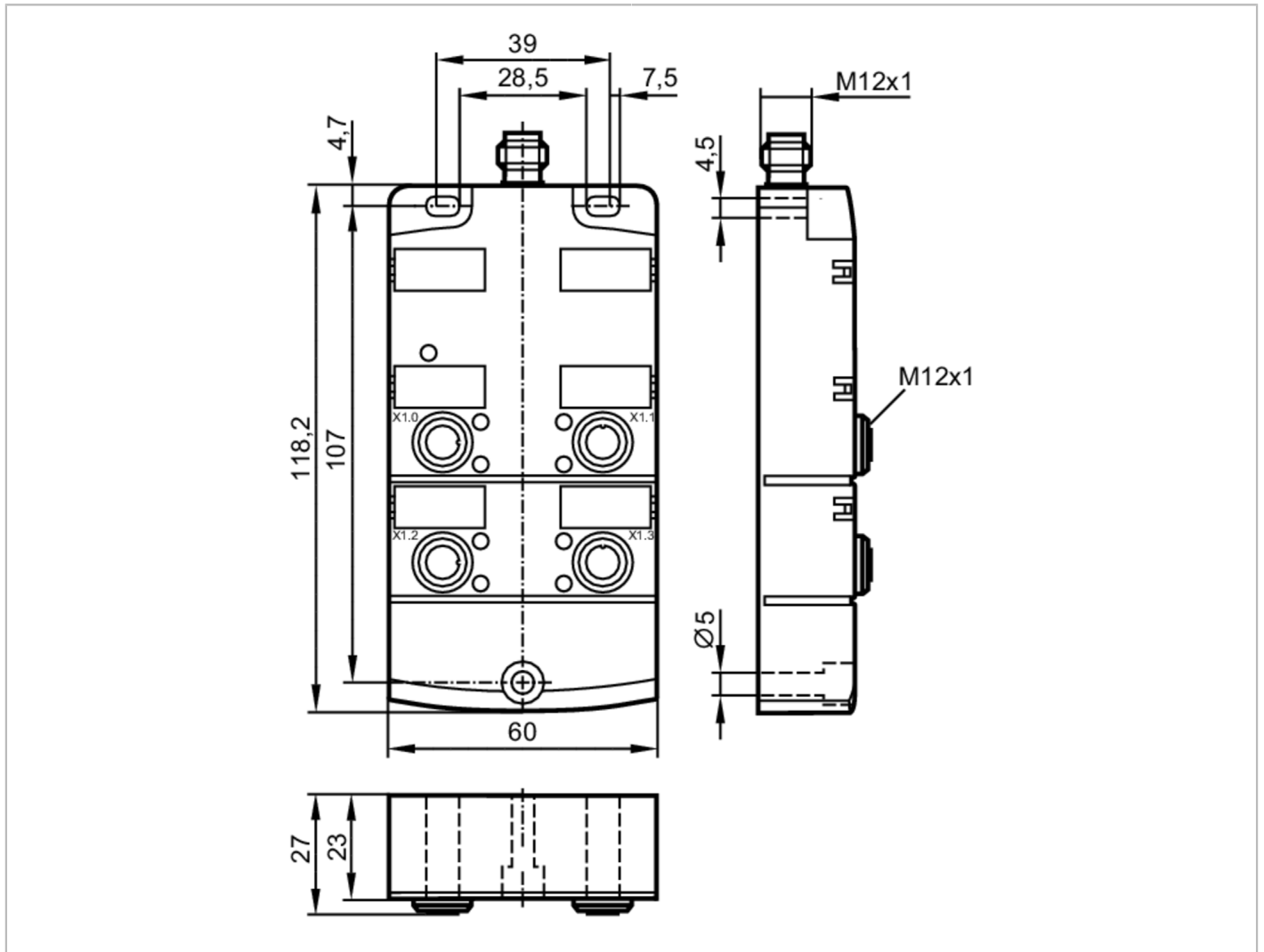


AL2400



IO-Link CompactLine module

IO-Link module 4 x 2 DI IP 67



Electrical data	
Operating voltage [V]	18...30 DC; ("supply class 2" to cULus)
Current consumption [mA]	< 50
Sensor supply US	
Current rating per port [A]	0.1
Inputs / outputs	
Number of inputs and outputs	Number of digital inputs: 8

AL2400



IO-Link CompactLine module

IO-Link module 4 x 2 DI IP 67

Inputs		
Number of digital inputs	8; (4 x 2)	
Input circuit of digital inputs	PNP	
Input current limitation [mA]	15	
Input current High [mA]	6...10	
Input current Low [mA]	0...2	
Min. switching level high signal [V]	11	
Digital inputs protected against short circuits	yes	
Sensor supply of the inputs	IO-Link	
Interfaces		
Communication interface	IO-Link	
IO-Link Device		
Transmission type	COM2 (38,4 kBaud)	
IO-Link revision	1.1	
SDCI standard	IEC 61131-9	
IO-Link device ID	554d / 00 02 2Ah	
SIO mode	no	
Process data analogue	1	
Process data binary	12	
Min. process cycle time [ms]	2.9	
Operating conditions		
Ambient temperature [°C]	-25...70	
Protection	IP 67	
Tests / approvals		
EMC	EN 61000-6-2	
	EN 61000-6-3	
	IEC 61131-9	
Mechanical data		
Weight [g]	300	
Materials	PA; socket: brass nickel-plated; O-ring: FKM	
Displays / operating elements		
Display	operation	LED, green
	errors	LED, red
	function	LED, yellow
Accessories		
Accessories (optional)	Stainless steel sleeve, for installation in case of high mechanical stress , E70402	
Remarks		
Remarks	For use in NFPA 79 applications only	
	The device is to be operated to IO-Link specification V1.1.2.	
	The maximum cable length of the IO-Link cable is 20 m.	
Pack quantity	1 pcs.	



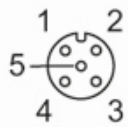
IO-Link CompactLine module

IO-Link module 4 x 2 DI IP 67

Electrical connection - Process connection

	Inputs X1.0...X1.3
1	Sensor supply +24 V
2	IN 2
3	Sensor supply 0 V
4	IN 1
5	not used

Connector: M12



Electrical connection - IO-Link

1	UB +
2	not used
3	UB -
4	IO-Link

Connector: M12

