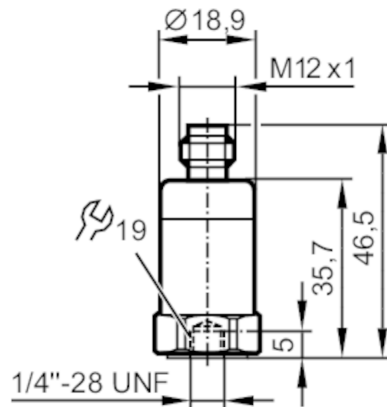


VSP001



Acceleration sensor

VIBRATION SENSOR



Product characteristics		
Measuring range of vibration	[g]	-50...50
Frequency range	[Hz]	2...10000
Measuring principle		piezo-electric
Application		
Design		for connection to external diagnostic electronics VSE
Electrical data		
Operating voltage	[V]	10...12 DC
Insulation rating	[V]	500
Current consumption	[mA]	0.5...8
Measuring/setting range		
Measuring range of vibration	[g]	-50...50
Frequency range	[Hz]	2...10000
Measuring principle		piezo-electric
Noise density	[mg]	0.1
Max. transverse sensitivity	[%]	5
Minimum measuring time	[s]	2
Number of measurement axes		1
Accuracy / deviations		
Accuracy		± 5 %
Measuring sensitivity		100 mV/g
Interfaces		
Communication interface		IEPE
Operating conditions		
Ambient temperature	[°C]	-55...125
Storage temperature	[°C]	-55...125
Protection		IP 67

VSP001



Acceleration sensor

VIBRATION SENSOR

Tests / approvals

Shock resistance		5000 g
MTTF [years]		1142

Mechanical data

Weight [g]		73.5
Type of mounting		set screw
Materials		housing: stainless steel
Tightening torque [Nm]		8

Accessories

Accessories (supplied)		set screws
------------------------	--	------------

Remarks

Pack quantity		1 pcs.
---------------	--	--------

Electrical connection

- | | |
|---|----------|
| 1 | not used |
| 2 | I out |
| 3 | not used |
| 4 | L- |

Connector: 1 x M12; Maximum cable length: 1000 m

