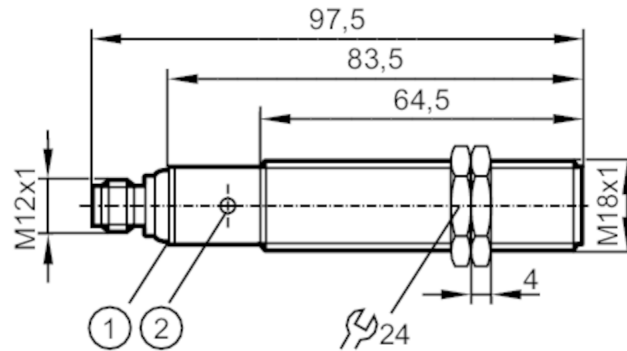


UGT519



Ultrasonic sensor

UGA02200F1KG/US



- 1 LEDs
- 2 teach button



Product characteristics

Electrical design	NPN
Output function	normally open / normally closed; (parameterisable + 1x current output)
Sensing range [mm]	200...2200; (Target: 200 x 200 mm)
Housing	threaded type
Dimensions [mm]	M18 x 1 / L = 97.5

Electrical data

Operating voltage [V]	10...30 DC; ("supply class 2" to cULus)
Current consumption [mA]	55
Protection class	III
Reverse polarity protection	yes
Power-on delay time [s]	< 0.3
Converter frequency [kHz]	200

Inputs / outputs

Number of inputs and outputs	Number of digital outputs: 1; Number of analogue outputs: 1
------------------------------	---

UGT519



Ultrasonic sensor

UGA02200F1KG/US

Outputs	
Total number of outputs	2
Electrical design	NPN
Number of digital outputs	1
Output function	normally open / normally closed; (parameterisable + 1x current output)
Max. voltage drop switching output DC [V]	2.2
Permanent current rating of switching output DC [mA]	100
Switching frequency DC [Hz]	2
Number of analogue outputs	1
Analogue current output [mA]	4...20
Max. load [Ω]	500
Short-circuit protection	yes
Overload protection	yes
Resolution of analogue output	< 3 mm
Detection zone	
Sensing range [mm]	200...2200; (Target: 200 x 200 mm)
Blind zone [mm]	200
Angle of aperture cylindrical [$^{\circ}$]	14; (± 2)
Max. deviation from the 90 $^{\circ}$ angle sensor/object [$^{\circ}$]	± 4
Accuracy / deviations	
Temperature compensation	yes
Hysteresis [%]	< 2
Switch point drift [%]	-2...2
Linearity error of analogue output [%]	<3
Notes on the accuracy / deviation	The indicated values are reached after a warm-up time of min. 20 minutes
Repeatability	1 %
Response times	
Response time [ms]	< 300; (analogue output)
Operating conditions	
Ambient temperature [$^{\circ}$ C]	-20...70
Storage temperature [$^{\circ}$ C]	-30...80
Protection	IP 67

UGT519



Ultrasonic sensor

UGA02200F1KG/US

Tests / approvals		
EMC	EN 61000-4-2 ESD	4 kV CD / 8 kV AD
	EN 61000-4-3 HF radiated	3 V/m
	EN 61000-4-4 Burst	2 kV
	EN 61000-4-6 HF conducted	3 V
	EN 55011	Class A
Vibration resistance	EN 60068-2-6 Fc	(10-55) Hz 1 mm amplitude, oscillation period 5 min., 30 min. per axis at resonance or 55 Hz
Shock resistance	EN 60068-2-27 Ea	30 g 11 ms half-sine; 3 shocks each in every direction of the 3 coordinate axes
MTTF	[years]	144
UL approval	Ta	-20...70 °C
	voltage supply	Class 2
	File number UL	E174191

Mechanical data		
Weight	[g]	102
Housing		threaded type
Dimensions	[mm]	M18 x 1 / L = 97.5
Thread designation		M18 x 1
Materials		stainless steel (1.4404 / 316L); PA; epoxy glass ceramics
Tightening torque	[Nm]	50

Displays / operating elements		
Display	switching status	2 x LED, yellow
	echo	1 x LED, green
Teach function		yes

Accessories		
Items supplied		lock nuts: 2, stainless steel

Remarks		
Remarks		operating voltage "supply class 2" according to cULus
Pack quantity		1 pcs.

Electrical connection

Connector: 1 x M12



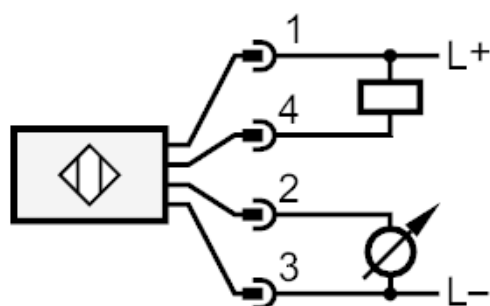
UGT519



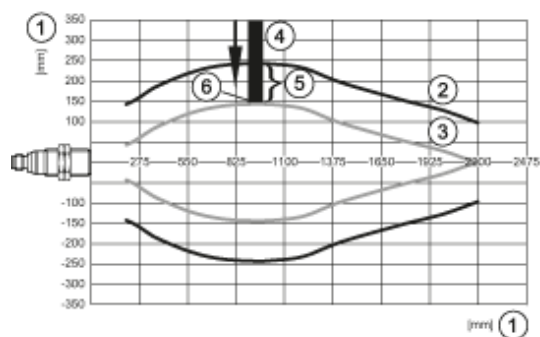
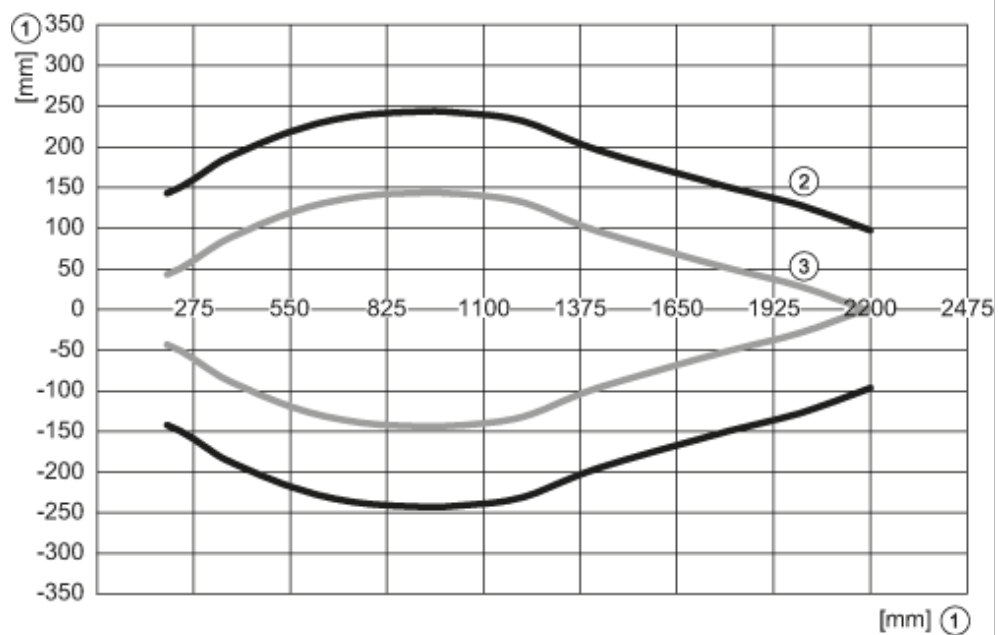
Ultrasonic sensor

UGA02200F1KG/US

Connection



Diagrams and graphs



- 1: distance
- 2: Detection zone
- 3: switch-on/switch-off graph
- 4: Target 200 x 200 mm
- 5: 50% of the target in the detection zone
- 6: switch point