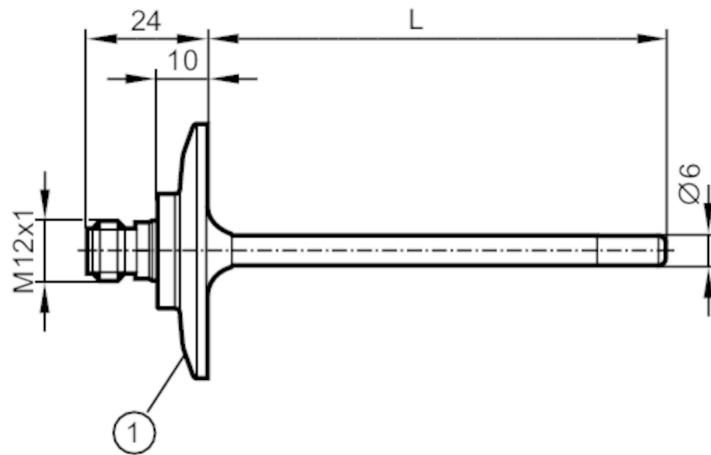


# TM4801



## Temperature sensor with process connection

TM-030KFEC01- /US/



1 1.5" Clamp ISO 2852  
L = probe length corresponds to installation length EL



Product characteristics		
Measuring range		-40...150 °C      -40...302 °F
Process connection		Clamp DN25...DN40 (1...1,5") DIN 32676 (ISO 2852)
Installation length EL	[mm]	30
Application		
Special feature		Gold-plated contacts
Measuring element		1 x Pt 100; (to DIN EN 60751, class A)
Application		hygienic systems
Media		liquids and gases
Pressure rating	[bar]	25
Minimum installation depth	[mm]	15
MAWP (for applications according to CRN)	[bar]	50
Electrical data		
Protection class		III
Measuring/setting range		
Probe length L	[mm]	30
Measuring range		-40...150 °C      -40...302 °F
Accuracy / deviations		
Accuracy	[K]	± (0,15 K + 0,002 x  t )
Response times		
Dynamic response T05 / T09	[s]	1 / 3; (to DIN EN 60751)
Operating conditions		
Ambient temperature	[°C]	-25...80
Storage temperature	[°C]	-40...100
Protection		IP 68; IP 69K

# TM4801



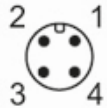
## Temperature sensor with process connection

TM-030KFEC01- /US/

Tests / approvals		
Shock resistance	DIN EN 60068-2-2-27	50 g (11 ms)
Vibration resistance	DIN EN 60068-2-6	10 g (10...2000 Hz)
MTTF [years]	22831	
Mechanical data		
Weight [g]	181	
Materials	stainless steel (1.4404 / 316L)	
Materials (wetted parts)	stainless steel (1.4404 / 316L) electropolished	
Process connection	Clamp DN25...DN40 (1...1,5") DIN 32676 (ISO 2852)	
Surface characteristics Ra/Rz of the wetted parts	Ra: < 0.8	
Probe diameter [mm]	6	
Installation length EL [mm]	30	
Remarks		
Remarks	operating voltage "supply class 2" according to cULus The values for accuracy apply to flowing water.	
Pack quantity	1 pcs.	

### Electrical connection

Connector: 1 x M12; Contacts: gold-plated



### Connection

