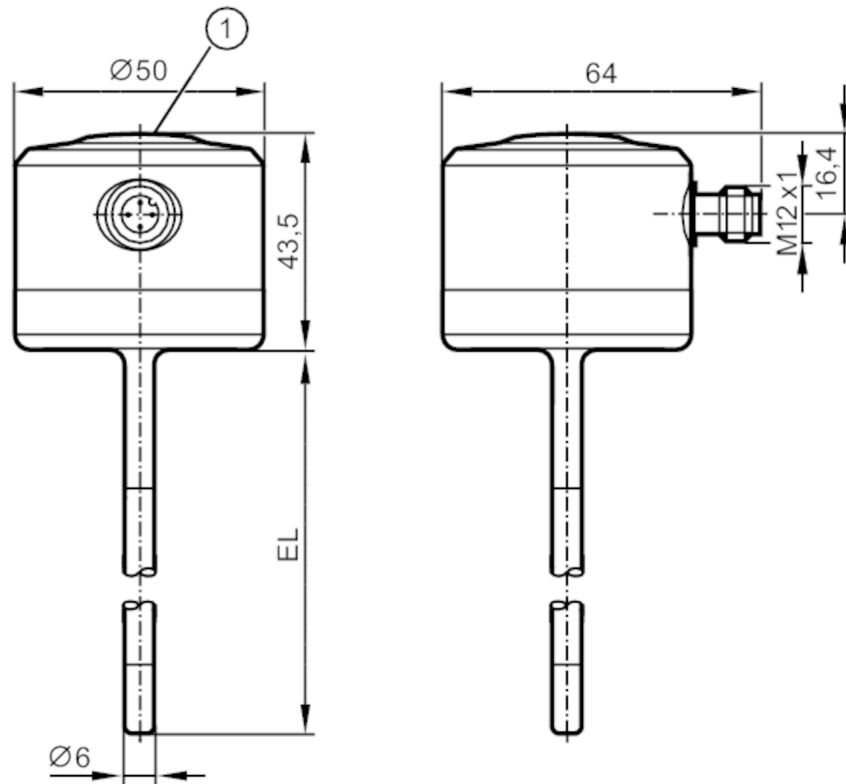


# TCC261



## Temperature transmitter

TCC250K1ED06-A-DKG/US



1 LED



### Product characteristics

Number of inputs and outputs	Number of digital outputs: 1; Number of analogue outputs: 1	
Measuring range	-25...160 °C	-13...320 °F
Process connection	diameter $\varnothing$ 6 mm	
Installation length EL [mm]	250	

### Application

Special feature	Gold-plated contacts
Measuring element	1 x Pt 1000
Reference element	1 x NTC
Media	liquids and gases
Pressure rating [bar]	160

### Electrical data

Operating voltage [V]	18...32 DC; ("supply class 2" to cULus)
Current consumption [mA]	10; (24 V)
Protection class	III
Reverse polarity protection	yes
Power-on delay time [s]	6
Integrated watchdog	yes

### Inputs / outputs

Number of inputs and outputs	Number of digital outputs: 1; Number of analogue outputs: 1
------------------------------	---

# TCC261



## Temperature transmitter

TCC250K1ED06-A-DKG/US

Outputs		
Total number of outputs		2
Output signal		analogue signal; IO-Link; calibration check status
Electrical design		PNP/NPN
Number of digital outputs		1
Output function		normally open; (diagnostic signal)
Max. voltage drop switching output DC	[V]	2
Permanent current rating of switching output DC	[mA]	100
Diagnostic output		calibration check status and error diagnostics
Number of analogue outputs		1
Analogue current output	[mA]	4...20
Max. load	[Ω]	(U <sub>b</sub> - 15 V) x 50
Short-circuit protection		yes
Type of short-circuit protection		pulsed
Overload protection		yes
Measuring/setting range		
Measuring range		-25...160 °C      -13...320 °F
Note on measuring range		scalable
Factory setting		-10...150 °C / 14...302 °F
Calibration check limit	[K]	0.5...3
In steps of	[K]	0.05
Resolution		
Resolution of analogue output	[K]	0.05
Accuracy / deviations		
Precision analogue output	[K]	± 0,2
Precision IO-Link	[K]	± 0,2
Temperature coefficient analogue output	[% of the span / 10 K]	< ± 0,02; (in case of deviation from the reference condition 25 ± 5 °C)
Temperature coefficient IO-Link	[% of the span / 10 K]	< ± 0,01; (in case of deviation from the reference condition 25 ± 5 °C)
Response times		
Dynamic response T05 / T09	[s]	1,5 / 4
Software / programming		
Parameter setting options		Display unit; scaling of the analogue output; calibration check limit; switching logic diagnostic output; simulation mode

# TCC261



## Temperature transmitter

TCC250K1ED06-A-DKG/US

Interfaces	
Communication interface	IO-Link
Transmission type	COM2 (38,4 kBaud)
IO-Link revision	1.1
SDCI standard	IEC 61131-9 CDV
IO-Link device ID	1129 d / 00 04 69 h
Profiles	Digital Measuring Sensor, Common Profile, Blob Transfer
SIO mode	yes
Required master port type	A
Process data analogue	1
Process data binary	1
Min. process cycle time [ms]	4.4
IO-Link resolution temperature [K]	0.01

Operating conditions	
Ambient temperature [°C]	-25...70
Note on ambient temperature	max. internal device temperature: 125 °C
Storage temperature [°C]	-40...100
Protection	IP 68; IP 69K

Tests / approvals		
EMC	DIN EN 61000-6-2	
	DIN EN 61000-6-3	
Shock resistance	DIN EN 68000-2-27	50 g (11 ms)
Vibration resistance	DIN EN 60068-2-6	35 g (10...2000 Hz)
MTTF [years]		329
UL approval	UL Approval no.	K021
	File number UL	E217884

Mechanical data	
Weight [g]	271.9
Dimensions [mm]	Ø 50 / L = 293.5
Materials	stainless steel (1.4404 / 316L); PEI; FKM; PFA
Materials (wetted parts)	stainless steel (1.4404 / 316L); PEEK
Process connection	diameter Ø 6 mm
Surface characteristics Ra/Rz of the wetted parts	Ra: < 0.8
Probe diameter [mm]	6
Installation length EL [mm]	250

Remarks	
Remarks	MS = set measuring span operating voltage "supply class 2" according to cULus
Pack quantity	1 pcs.

Electrical connection	
Connector: 1 x M12; Contacts: gold-plated	

# TCC261

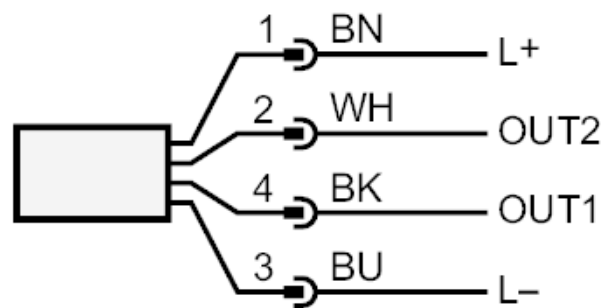


## Temperature transmitter

TCC250K1ED06-A-DKG/US



### Connection



OUT2: analogue output

OUT1: Diagnostic output / IO-Link