

# RV6086

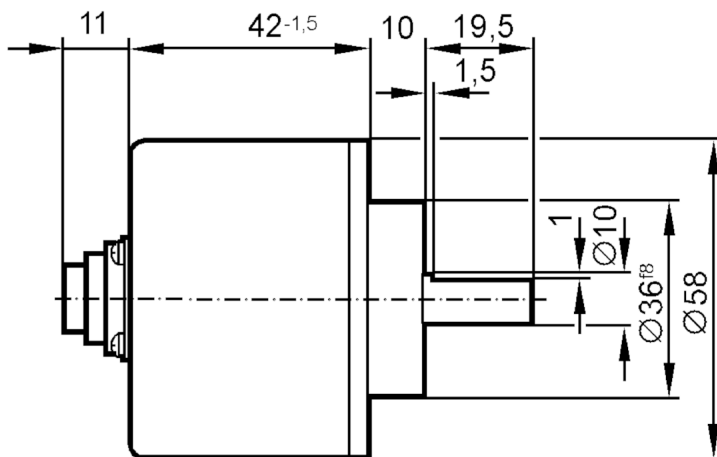
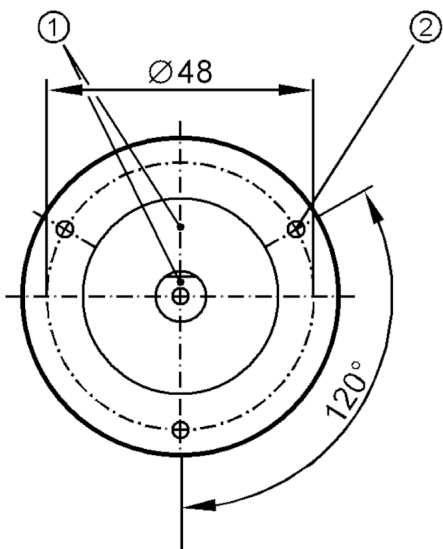


## Incremental encoder with solid shaft

RV-1000-I24/S

Article no longer available - archive entry

Discontinuation date: 31.03.2016



- 1 reference mark
- 2 M3 Depth 5 mm



Product characteristics	
Resolution	1000 resolution
Shaft design	solid shaft
Shaft diameter [mm]	10
Application	
Function principle	incremental
Electrical data	
Operating voltage [V]	10...30 DC
Current consumption [mA]	155
Outputs	
Electrical design	HTL
Max. current load per output [mA]	50
Switching frequency [kHz]	300
Type of short-circuit protection	< 60 s
Phase difference A and B [°]	90
Measuring/setting range	
Resolution	1000 resolution

# RV6086



## Incremental encoder with solid shaft

RV-1000-I24/S

Operating conditions		
Ambient temperature	[°C]	-30...70
Storage temperature	[°C]	-30...100
Max. relative air humidity	[%]	98
Protection		IP 64

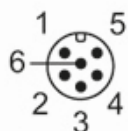
Tests / approvals		
Shock resistance		100 g (11 ms)
Vibration resistance		10 g (58...2000 Hz)
MTTF	[years]	190

Mechanical data		
Weight	[g]	360
Dimensions	[mm]	Ø 58 / L = 82.5
Materials		aluminium
Max. revolution, mechanical	[U/min]	12000
Max. starting torque	[Nm]	1
Reference temperature torque	[°C]	20
Shaft design		solid shaft
Shaft diameter	[mm]	10
Shaft material		steel (1.4104)
Max. shaft load axial (at the shaft end)	[N]	10
Max. shaft load radial (at the shaft end)	[N]	20

Remarks	
Notes	discontinued article

Electrical connection	
1	L+
2	A
3	Screen housing
4	B
5	0 index
6	0V

Connector: 1 x M12, axial



# RV6086

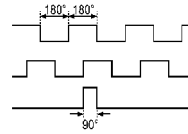


## Incremental encoder with solid shaft

RV-1000-I24/S

### Diagrams and graphs

Pulse diagram



Output A

Output B

0 index

Article no longer available - archive entry

Discontinuation date: 31.03.2016