

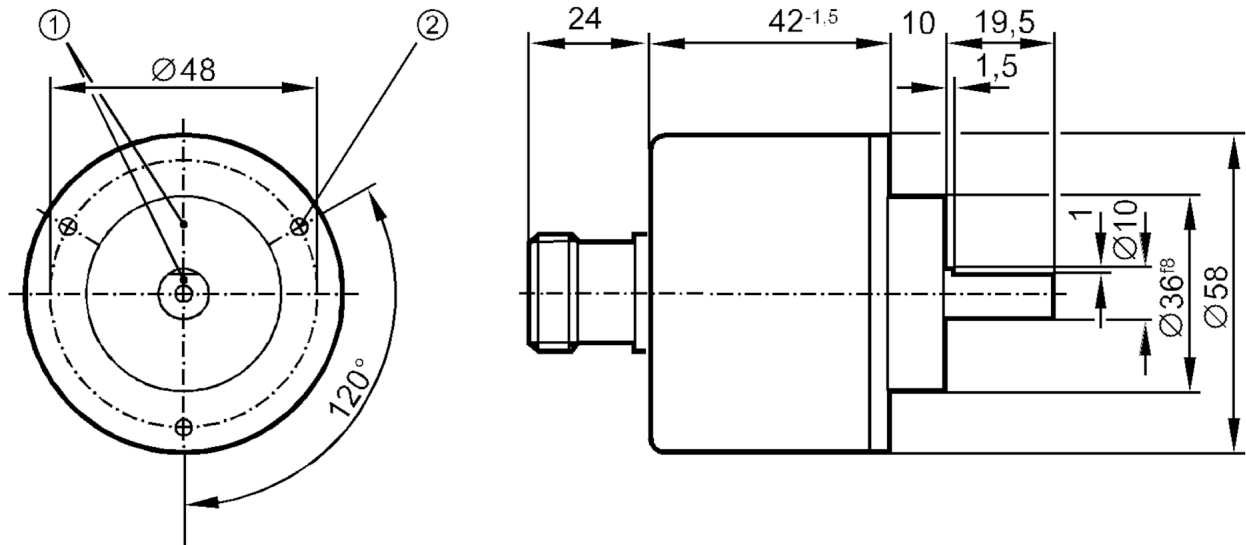
RV6065



Incremental encoder with solid shaft

RV-1250-I24/J

Article no longer available - archive entry



- 1 reference mark
- 2 M3 Depth 5 mm



Product characteristics

Resolution	1250 resolution
Shaft design	solid shaft
Shaft diameter [mm]	10

Electrical data

Operating voltage [V]	10...30 DC
Current consumption [mA]	150

Outputs

Electrical design	HTL
Max. current load per output [mA]	50
Switching frequency [kHz]	160
Type of short-circuit protection	< 60 s
Phase difference A and B [°]	90

Measuring/setting range

Resolution	1250 resolution
------------	-----------------

Operating conditions

Ambient temperature [°C]	-30...85
Storage temperature [°C]	-30...100
Max. relative air humidity [%]	98
Protection	IP 64

RV6065



Incremental encoder with solid shaft

RV-1250-I24/J

Tests / approvals

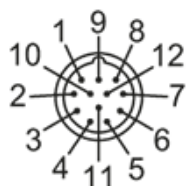
Shock resistance	100 g (6 ms)
Vibration resistance	15 g (55...2000 Hz)

Mechanical data

Materials	aluminium
Max. revolution, mechanical [U/min]	12000
Max. starting torque [Nm]	1
Reference temperature torque [°C]	20
Shaft design	solid shaft
Shaft diameter [mm]	10
Shaft material	steel (1.4104)
Max. shaft load axial (at the shaft end) [N]	10
Max. shaft load radial (at the shaft end) [N]	20

Electrical connection

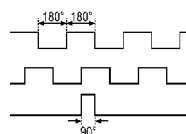
Connector: 1 x M23 (ifm 1001.4), axial



- 1 B inverted
- 2 L+ sensor
- 3 0 index
- 4 0 index inverted
- 5 A
- 6 A inverted
- 7 failure inverted
- 8 B
- 9 n.c.
- 10 0V
- 11 0V sensor
- 12 L+

Diagrams and graphs

Pulse diagram



direction of rotation clockwise (looking at the shaft)