

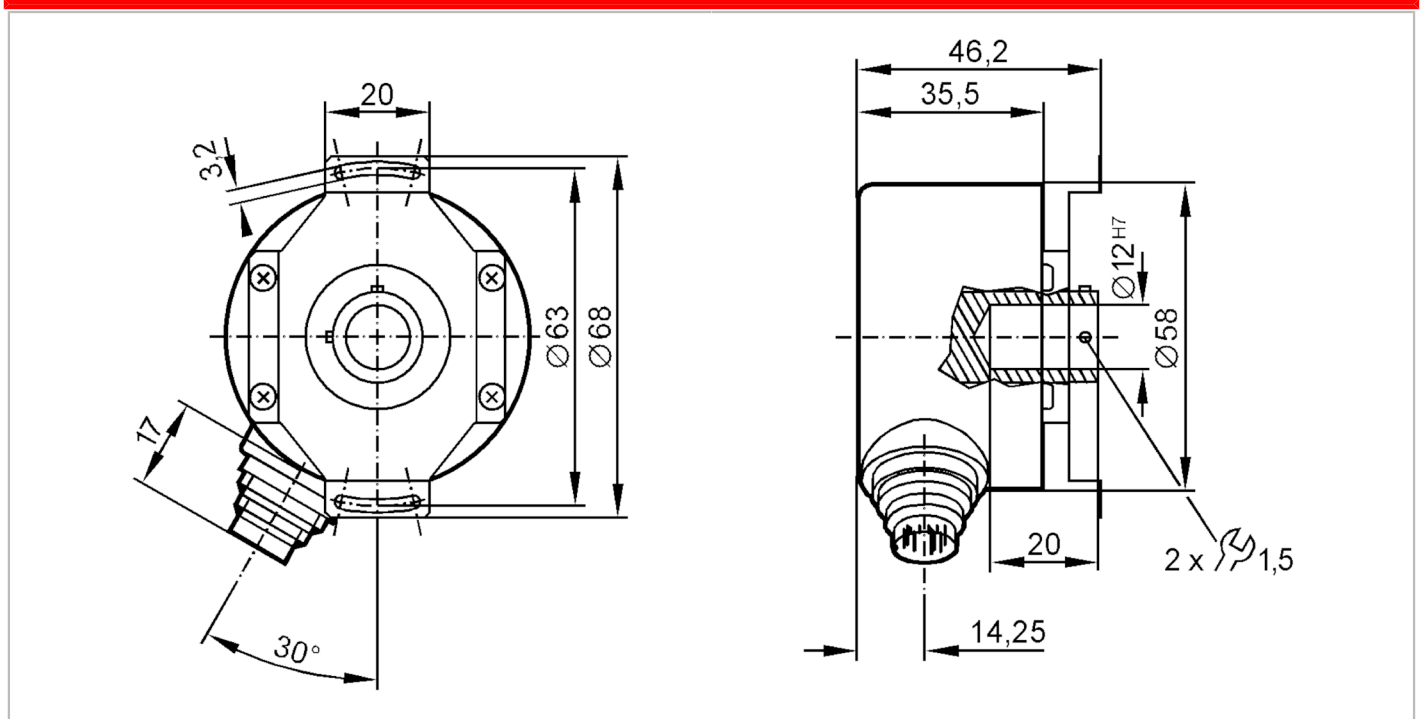
# RO1359



## Incremental encoder with hollow shaft

RO-0500-I05/T U

Article no longer available - archive entry



### Product characteristics

Resolution	500 resolution
Shaft design	hollow shaft open to one side
Shaft diameter [mm]	12

### Electrical data

Operating voltage tolerance [%]	10
Operating voltage [V]	5 DC
Current consumption [mA]	< 150

### Outputs

Electrical design	TTL
Max. current load per output [mA]	20
Switching frequency [kHz]	300
Phase difference A and B [°]	90

### Measuring/setting range

Resolution	500 resolution
------------	----------------

### Operating conditions

Ambient temperature [°C]	-30...96
Note on ambient temperature	Up < 18 V: -30...100 °C
Storage temperature [°C]	-30...100
Max. relative air humidity [%]	98
Protection	IP 64

# RO1359



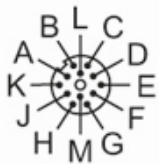
## Incremental encoder with hollow shaft

RO-0500-I05/T U

Tests / approvals		
Shock resistance		100 g (6 ms)
Vibration resistance		10 g (55...2000 Hz)
Mechanical data		
Dimensions	[mm]	Ø 58 / L = 46.2
Materials		aluminium
Max. revolution, mechanical	[U/min]	12000
Max. starting torque	[Nm]	2.5
Reference temperature torque	[°C]	20
Shaft design		hollow shaft open to one side
Shaft diameter	[mm]	12
Shaft fit		H7
Shaft material		stainless steel
Installation depth of shaft	[mm]	10
Max. axial shaft misalignment	[mm]	1; (max. radial shaft alignment: ± 0,05 mm)

Electrical connection	
A	B inverted
B	Ub sensor
C	0 index
D	0 index inverted
E	A
F	A inverted
G	failure inverted
H	B
K	0V Un
L	0V sensor
M	L+ Up
screen	housing

Connector: 1 x M18, radial



# RO1359

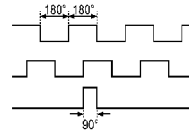


## Incremental encoder with hollow shaft

RO-0500-105/T U

### Diagrams and graphs

Pulse diagram



Output A

Output B

0 index

[Article no longer available - archive entry](#)