

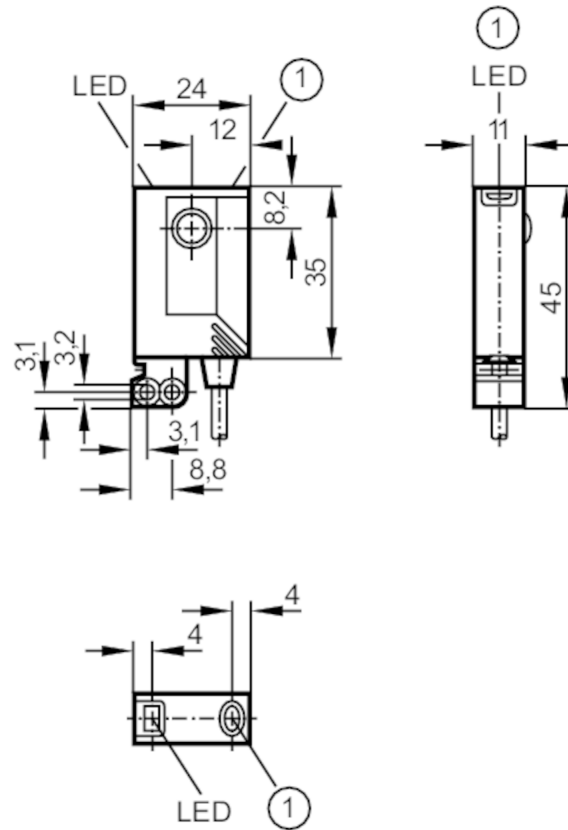


Through-beam sensor receiver

OJE-FPKG/FOJ0,15M/US

discontinued article

Alternative article: OJ5109 When selecting an alternative article and accessories please note that technical data may differ! – When selecting an alternative article and accessories please note that technical data may differ!



1 pushbutton without function



Product characteristics

| | |
|-----------------|--------------|
| Type of light | red light |
| Housing | rectangular |
| Dimensions [mm] | 35 x 24 x 11 |

Application

| | |
|--------------------|----------------------|
| Special feature | Gold-plated contacts |
| Function principle | Through-beam sensor |

Electrical data

| | |
|-----------------------------|------------|
| Operating voltage [V] | 10...30 DC |
| Current consumption [mA] | < 12 |
| Protection class | III |
| Reverse polarity protection | yes |
| Type of light | red light |
| Wave length [nm] | 660 |

OJ5066



Through-beam sensor receiver

OJE-FPKG/FO/0,15M/US

| Outputs | | |
|--|---|-----------------|
| Electrical design | PNP | |
| Output function | light-on/dark-on mode; (programmable) | |
| Max. voltage drop switching output DC [V] | 2.5 | |
| Permanent current rating of switching output DC [mA] | 200 | |
| Switching frequency DC [Hz] | 1200 | |
| Short-circuit protection | yes | |
| Type of short-circuit protection | pulsed | |
| Overload protection | yes | |
| Detection zone | | |
| Transmitter / receiver | receiver | |
| Range [m] | < 10 | |
| Range adjustable | yes | |
| Operating conditions | | |
| Ambient temperature [°C] | -25...60 | |
| Protection | IP 67 | |
| Tests / approvals | | |
| EMC | EN 60947-5-2 | |
| MTTF [years] | 968 | |
| Mechanical data | | |
| Weight [g] | 54.8 | |
| Housing | rectangular | |
| Dimensions [mm] | 35 x 24 x 11 | |
| Materials | housing: ABS; fixture: diecast zinc; LED window: SEPS; pushbutton: SEPS; connector body: Hytrel 8068; connector thread: stainless steel (1.4404 / 316L) | |
| Lens material | glass | |
| Lens alignment | front lens | |
| Material nut | stainless steel (1.4404 / 316L) | |
| Displays / operating elements | | |
| Display | switching status | 1 x LED, yellow |
| | operation | 1 x LED, green |
| | function | 1 x LED, red |
| Electronic lock | yes | |
| Accessories | | |
| Accessories (supplied) | Basic clip: 1 x, E20964 | |
| | screws: 2 x x M3 x 16 | |
| | spring washers: 2 x | |
| | Nuts: 2 x | |
| Remarks | | |
| Remarks | operating voltage "supply class 2" according to cULus | |
| Pack quantity | 1 pcs. | |

OJ5066



Through-beam sensor receiver

OJE-FPKG/FO/0,15M/US

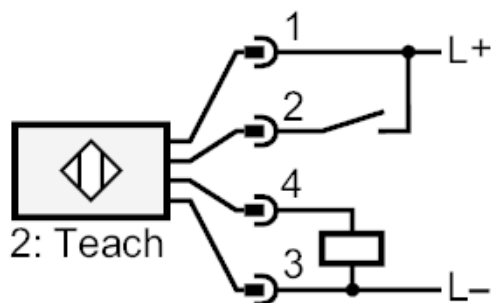
Electrical connection

Cable: 0.15 m, PUR

Connector: 1 x M12; Locking: stainless steel (1.4404 / 316L); Contacts: gold-plated



Connection



2

Teach

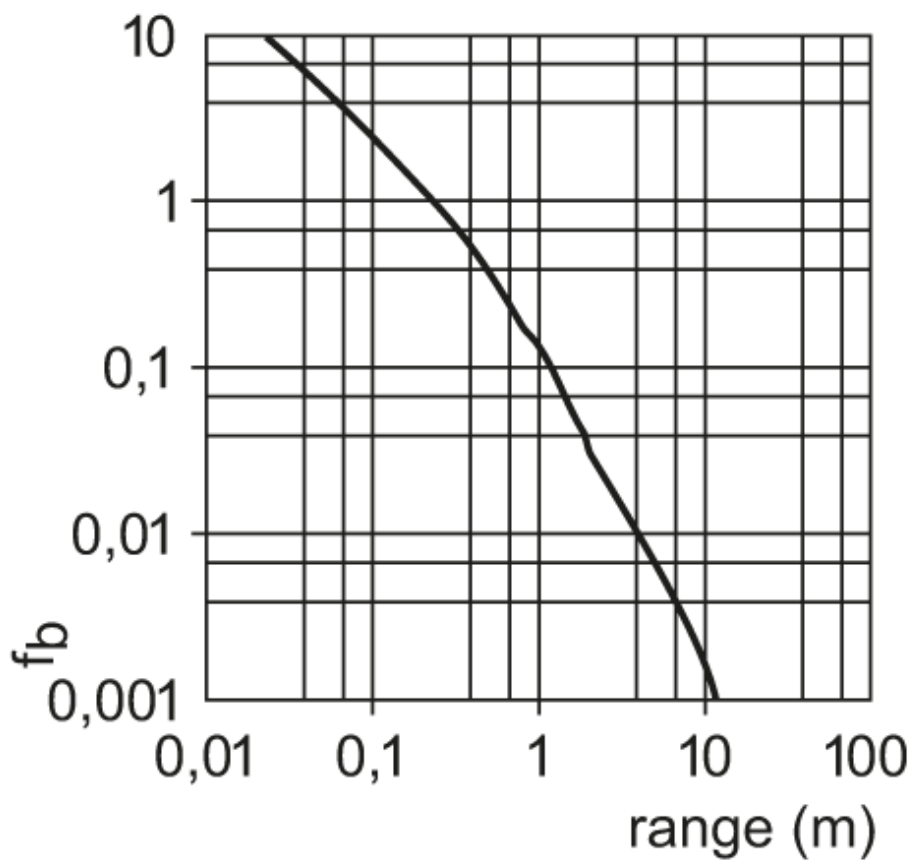


Through-beam sensor receiver

OJE-FPKG/FO/0,15M/US

Diagrams and graphs

excess gain graph



discontinued article

Alternative article: OJ5109 When selecting an alternative article and accessories please note that technical data may differ! – When selecting an alternative article and accessories please note that technical data may differ!