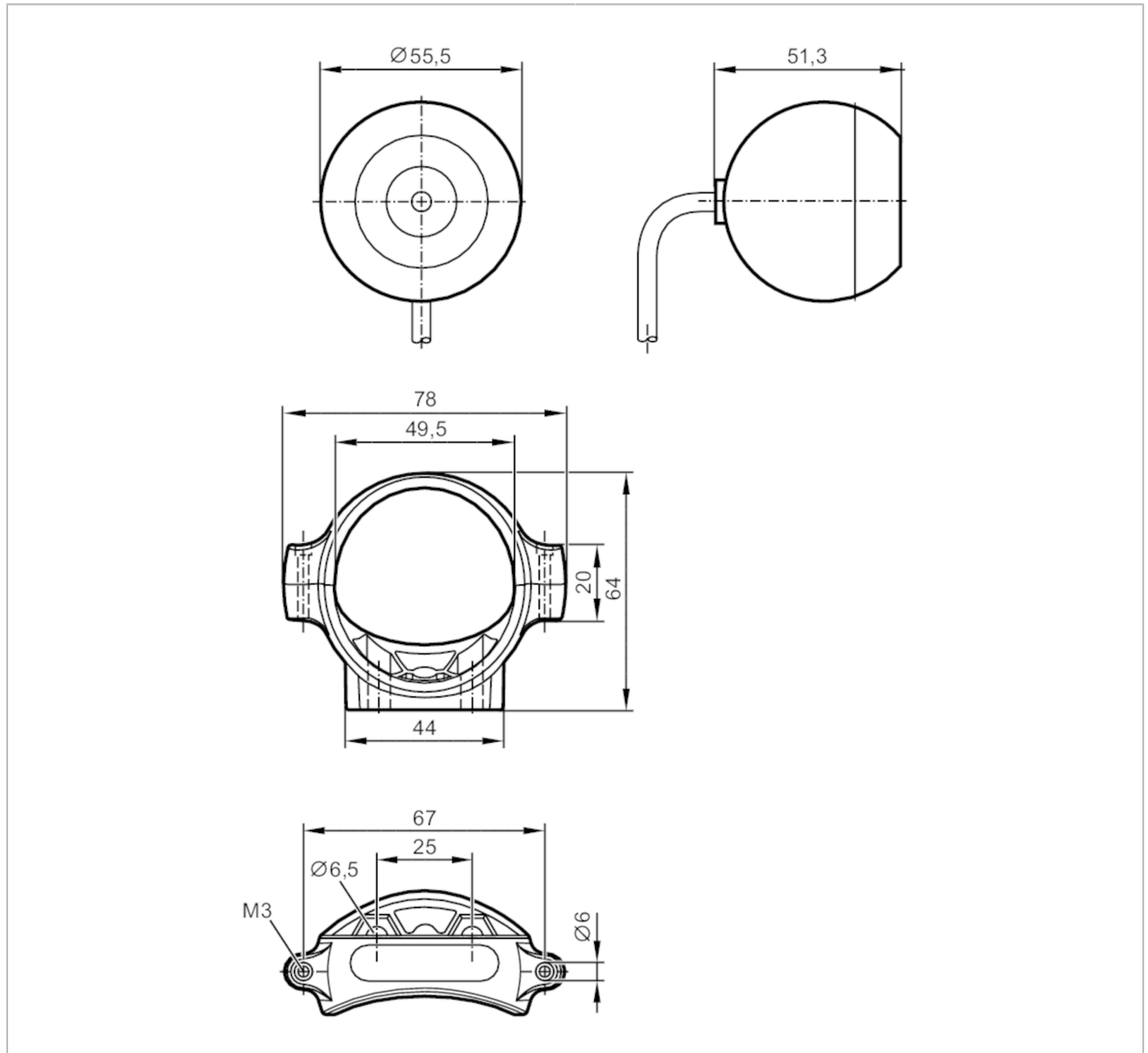


O2M200



Analogue camera for mobile machines

O2MXOOKG/A1/GM/78



Product characteristics

Image resolution	[px]	680 x 480
Angle of aperture	[°]	78
Dimensions	[mm]	$\varnothing 55,5$ / L = 51,3

Application

Special feature	Screened cable
-----------------	----------------

O2M200



Analogue camera for mobile machines

O2MXOOKG/A1/GM/78

Electrical data				
Operating voltage [V]	8...32 DC			
Current consumption [mA]	< 150; (incl. lens heating)			
Overvoltage protection	yes			
Image sensor	¼" 4:3 VGA CMOS image sensor Color			
Switch-on peak current [mA]	700			
Switch-on peak current duration [ms]	2			
Outputs				
Video output	PAL (25 fps interlace) 720H x 576V (680 x 480) 1 Vtt / 75 Ω			
Detection zone				
Field of view size [mm]	Operating distance	field of view		
	1000	1500 x 1100		
	2000	3000 x 3200		
	5000	7500 x 5500		
Image resolution [px]	680 x 480			
Angle of aperture cylindrical [°]	78			
Angle of aperture [°]	78			
Light sensitivity [LUX]	< 0.05			
Dynamic range [dB]	> 80			
Operating conditions				
Ambient temperature [°C]	-40...85			
Storage temperature [°C]	-40...125			
Protection	IP 68; IP 69K; (max. 10 m water depth / max. 30 min (ISO 20653): IP 68; (ISO 20653): IP 69K)			
Tests / approvals				
EMC	DIN EN 61000-6-4	industrial environments		
	DIN EN 61000-6-2	industrial environments		
	UN-ECE R10			
Shock resistance		50 g		
Vibration resistance	Frequency range 24...2000 Hz	(15.3 x 9.81 m/s ²)rms		
	PSD (g ² /Hz)	0.04...0.1		
Salt spray test	IEC 60068-5-52			
Mechanical data				
Weight [g]	310.5			
Dimensions [mm]	Ø 55.5 / L = 51.3			
Materials	housing: aluminium black anodised; front lens: float glass chemically hardened			
Accessories				
Accessories (supplied)	mounting clamp:, E2M210			
	screws: 2 x M6 x 20			
	washers			
	Nuts: 2 x M6, self-locking			
Remarks				
Pack quantity	1 pcs.			

O2M200



Analogue camera for mobile machines

O2MXOOKG/A1/GM/78

Electrical connection

Cable: 0.5 m, shielded

1	coax cable core video signal
2	coax screen video GND
3	U+
4	0 V

Connector: 1 x M16; Shielded connection cable: screen connected

