

# KN5100



## Capacitive sensor

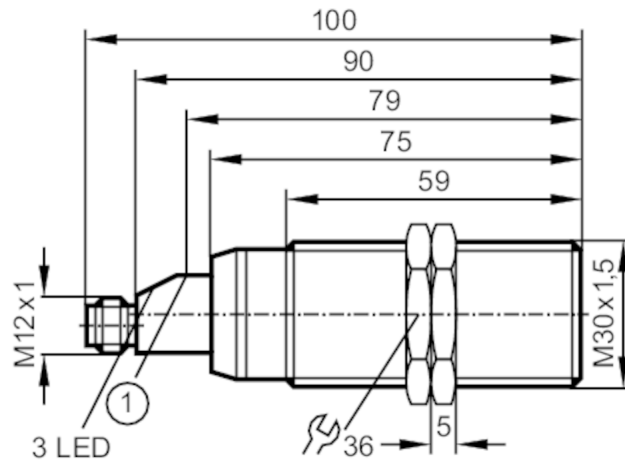
KNM30BSAFPKG/US-100-DPX

Article no longer available - archive entry

Alternative articles: KI5085

When selecting an alternative article and accessories please note that technical data may differ!

Attention: the programming has changed.



1 programming button



### Product characteristics

Electrical design	PNP
Output function	normally open / normally closed; (selectable)
Housing	threaded type
Dimensions [mm]	M30 x 1.5 / L = 100

### Application

Special feature	Gold-plated contacts; Function check output
Installation	flush mounting in tank wall
Media	dry bulk material
Medium temperature [°C]	-25...80

### Electrical data

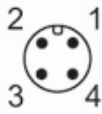
Operating voltage [V]	10...36 DC
Current consumption [mA]	30; (24 V)
Protection class	II
Reverse polarity protection	yes

# KN5100



## Capacitive sensor

KNM30BSAFPKG/US-100-DPX

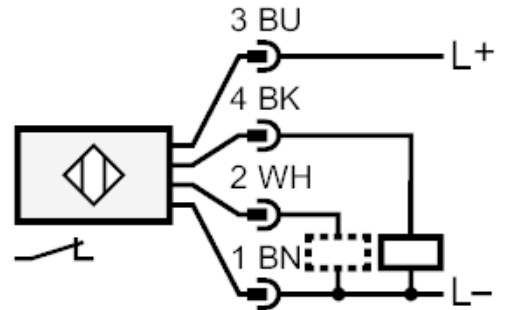
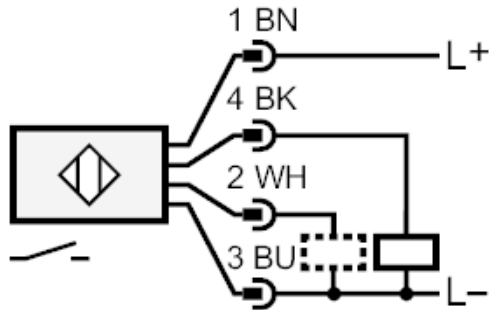
Outputs		
Electrical design		PNP
Output function		normally open / normally closed; (selectable)
Max. voltage drop switching output DC	[V]	2.5
Function check output		yes
Max. voltage drop of function check output	[V]	3.5
Max. current load for function check output	[mA]	10
Permanent current rating of switching output DC	[mA]	250
Switching frequency DC	[Hz]	5
Short-circuit protection		yes
Type of short-circuit protection		pulsed
Overload protection		yes
Operating conditions		
Ambient temperature	[°C]	-25...80
Protection		IP 67
Tests / approvals		
EMC		EN 60947-5-2
Mechanical data		
Housing		threaded type
Mounting		flush mountable
Dimensions	[mm]	M30 x 1.5 / L = 100
Thread designation		M30 x 1.5
Materials		brass white bronze coated; PBT; PVC
Displays / operating elements		
Display	switching status	1 x LED, yellow
	operation	1 x LED, green
	function	1 x LED, red
Accessories		
Items supplied		lock nuts: 2
Remarks		
Pack quantity		1 pcs.
Electrical connection - plug		
Connector: 1 x M12; Contacts: gold-plated		
		

# KN5100



## Capacitive sensor

KNM30BSAFPKG/US-100-DPX



2: Function check output programming wire