

IV0008

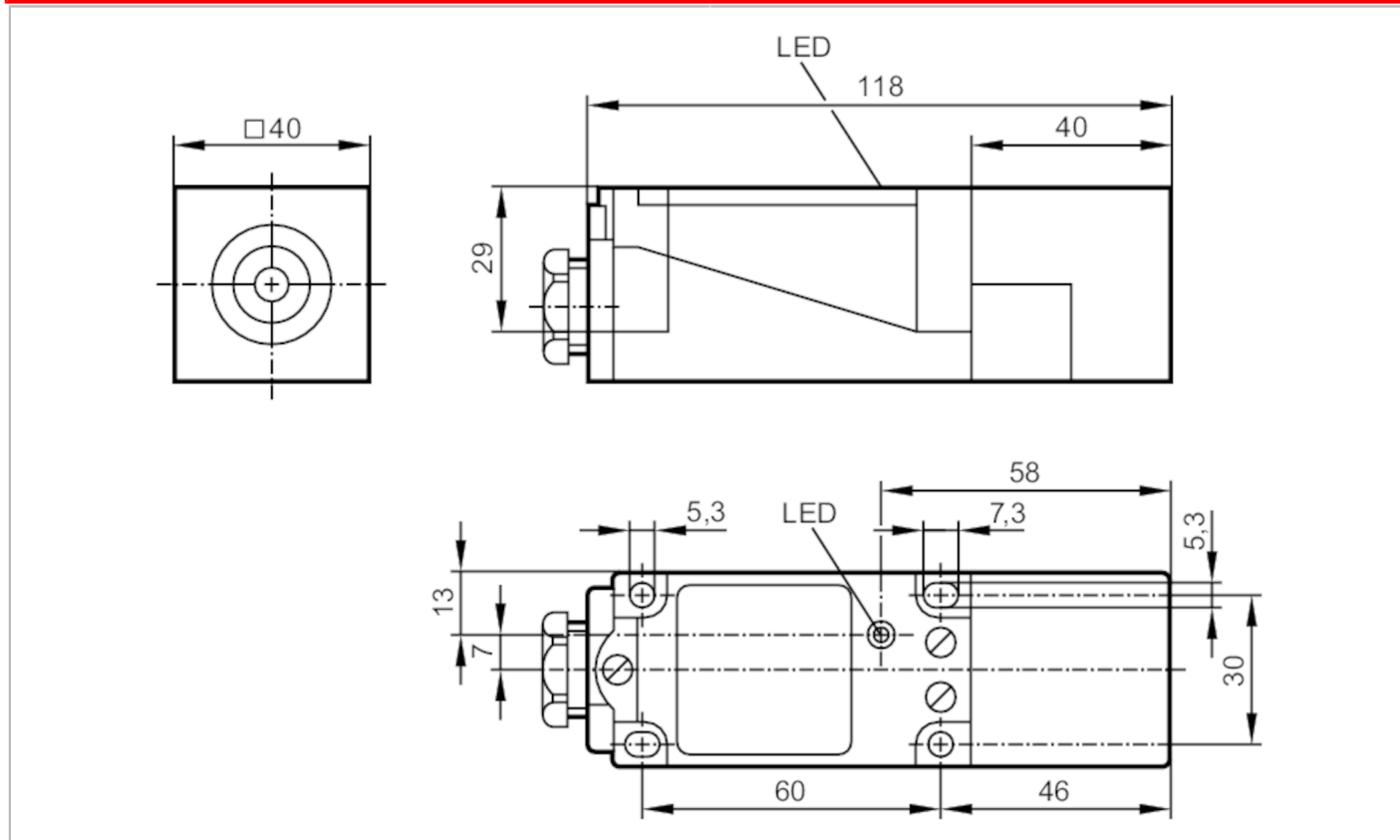


Inductive sensor

IVE2020-FBKA

discontinued article

Alternative article: IV0009 When selecting an alternative article and accessories please note that technical data may differ! – When selecting an alternative article and accessories please note that technical data may differ! – Discontinuation date: 31.03.2017



Product characteristics

Output function		normally open / normally closed; (selectable)
Sensing range	[mm]	20
Housing		rectangular
Dimensions	[mm]	40 x 40 x 118

Electrical data

Operating voltage	[V]	20...250 AC/DC
Protection class		II
Reverse polarity protection		yes

IV0008



Inductive sensor

IVE2020-FBKA

Outputs		
Output function		normally open / normally closed; (selectable)
Max. voltage drop switching output DC [V]		7
Max. voltage drop switching output AC [V]		7
Minimum load current [mA]		8
Max. leakage current [mA]		2.5
Permanent current rating of switching output AC [mA]		500
Permanent current rating of switching output DC [mA]		500
Switching frequency AC [Hz]		25
Switching frequency DC [Hz]		25
Short-circuit protection		yes
Overload protection		yes
Detection zone		
Sensing range [mm]		20
Real sensing range Sr [mm]		20 ± 10 %
Operating distance [mm]		0...16.2
Accuracy / deviations		
Correction factor		steel: 1 / stainless steel: 0.7 / brass: 0.4 / aluminium: 0.3 / copper: 0.2
Hysteresis [% of Sr]		1...15
Switch point drift [% of Sr]		-10...10
Operating conditions		
Ambient temperature [°C]		-25...70
Protection		IP 67
Tests / approvals		
EMC	EN 60947-5-2 EN 55011	class B
Mechanical data		
Weight [g]		258.4
Housing		rectangular
Mounting		non-flush mountable
Dimensions [mm]		40 x 40 x 118
Materials		PBT
Displays / operating elements		
Display	switching status	1 x LED, yellow
Remarks		
Remarks		Cable gland (E11270) to be ordered separately
Pack quantity		1 pcs.

IV0008



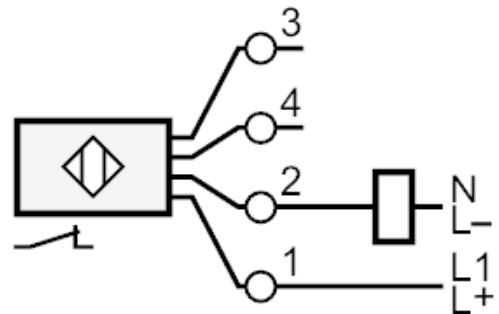
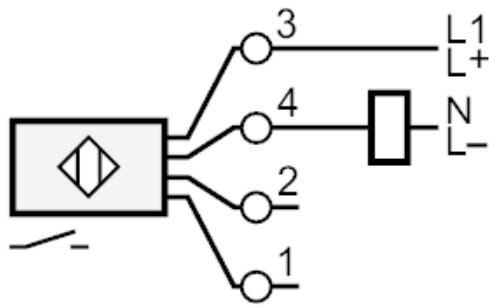
Inductive sensor

IVE2020-FBKA

Electrical connection

terminals: ...2.5 mm²; Cable gland: M20 X 1.5

Connection



discontinued article

Alternative article: IV0009 When selecting an alternative article and accessories please note that technical data may differ! – When selecting an alternative article and accessories please note that technical data may differ! – Discontinuation date: 31.03.2017